

CROSS REFERENCE OF FINISH IDENTIFICATION NUMBERS

Finish Description	US No.	Baldwin	BHMA No.
The Lifetime Finish™ from Baldwin Polished Brass		003	
Polished Brass (Highly polished brass and lacquered)	3	030	605
Polished Brass, (No Lacquer, Highly polished brass)	3Nc	031	
Vintage Brass		033	
Antique Brass		037	
Aged Brass		038	
Satin Brass (Satin polished and lacquered)	4	040	606
Satin Brass & Black (Oxidized relieved and lacquered)	5	050	609
Lifetime (PVD) Polished Nickel		055	
Lifetime (PVD) Satin Nickel		056	
Satin Brass & Brown (Oxidized, relieved and lacquered)	6	060	608
Oil Rubbed Bronze (Dull slightly oxidized, oil rubbed)	10B	102	613
Venetian Bronze (Relieved and matte lacquered)		112	
Satin Nickel Plated (Satin polished brass, nickel plated)	15	150	619
Antique Nickel, Dull (Nickel plated brass, oxidized, relieved & lacquered)	15A	151	620
Satin Black (Black lacquer over sanded brass)	19	190	622
Polished Chromium (Highly polished, plated on brass)	26	260	625
Satin Chromium (Satin polished, plated on brass)	26D	264	626
Bright Stainless Steel (Highly polished)	32	320	629
Satin Stainless Steel (Satin polished)	32D	324	630
Distressed Oil Rubbed Bronze		402	
Distressed Venetian Bronze		412	
Rustic Bronze		432	
Distressed Antique Nickel (matte lacquer)		452	

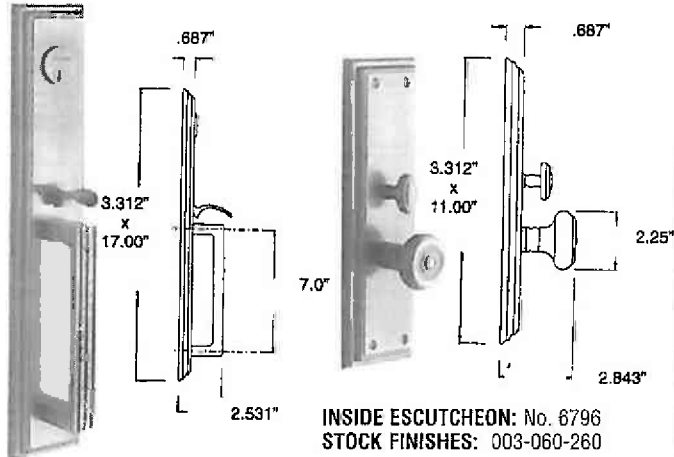
- Hinges
- Kick Plates
- Letter Box Plates
- Push/Pull Plates
- Lighting Products

Hardware NOT Available Distressed Includes:
All Mortise Locks, Cylinders, Latches & Strikes
Certian Levers & Handleset Trim

• HANDLESET TRIM (FORGED BRASS)

Sets include outside trim and inside escutcheons only. Mortise lock and cylinder sold separately.

Tremont

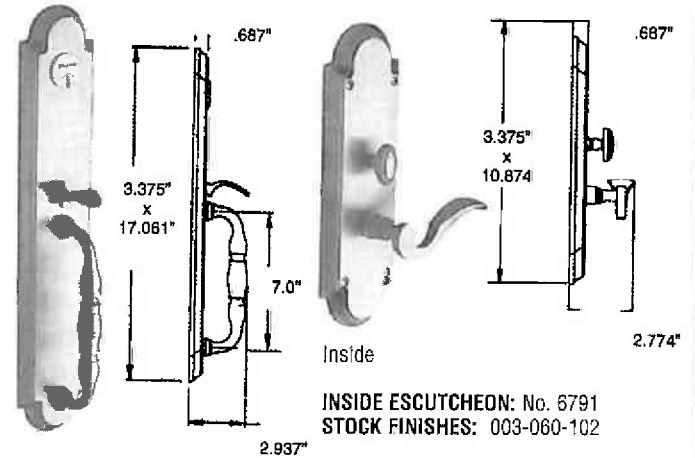


INSIDE ESCUTCHEON: No. 6796
 STOCK FINISHES: 003-060-260

OUTSIDE TRIM ONLY: No. 6605
 KNOB: No. 5066

BA6542-003	Polished Brass-Lifetime Finish	813.00
BA6542-060	Satin Brass and Brown	712.00
BA6542-150	Satin Nickel	712.00
BA6542-151	Antique Nickel, Dull	712.00
BA6542-260	Polished Chromium	712.00

Hamilton

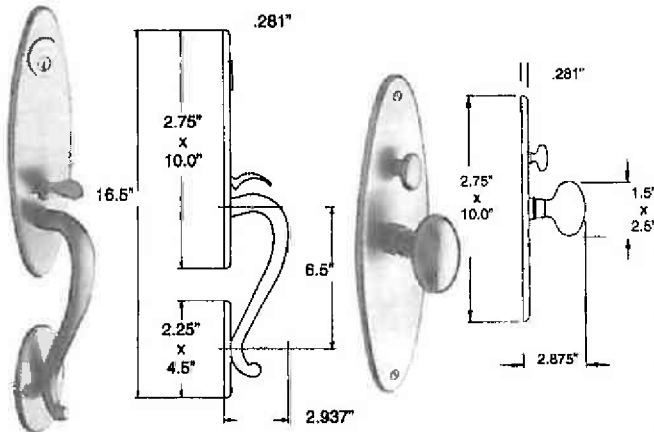


INSIDE ESCUTCHEON: No. 6791
 STOCK FINISHES: 003-060-102

Outside
 OUTSIDE TRIM ONLY: No. 6622
 KNOB: No. 152

BA6544-003	Polished Brass-Lifetime Finish	813.00
BA6544-060	Satin Brass and Brown	712.00
BA6544-102	Oil Rubbed Bronze	712.00

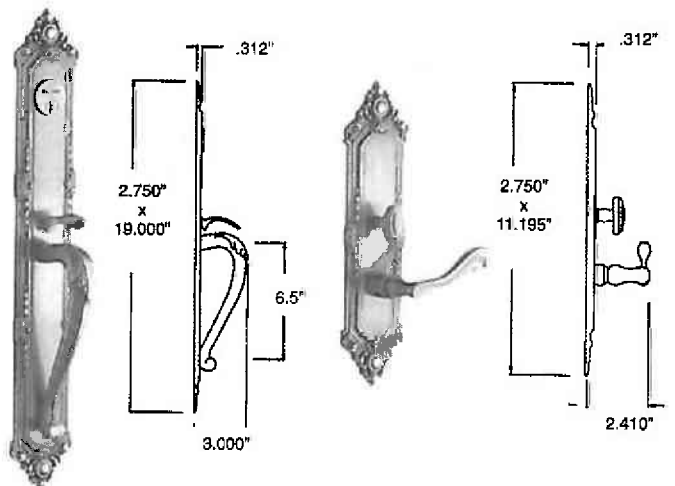
Springfield



BA6573-003	Polished Brass-Lifetime Finish	499.00
BA6573-060	Satin Brass and Brown	433.00
BA6573-150	Satin Nickel Plated	433.00
BA6573-102	Oil Rubbed Bronze	433.00

OUTSIDE TRIM ONLY: No. 6628
 KNOB: No. 5025
 INSIDE ESCUTCHEON: No. 6798
 STOCK FINISHES: 003-050-060-102-150

Kensington



BA6950-003	Polished Brass-Lifetime Finish	813.00
BA6950-150	Satin Nickel Plated	712.00
BA6950-151	Antique Nickel, Dull	712.00

OUTSIDE TRIM ONLY: No. 6624
 KNOB: No. 5108
 INSIDE ESCUTCHEON: No. 6790
 STOCK FINISHES: 003-150-151

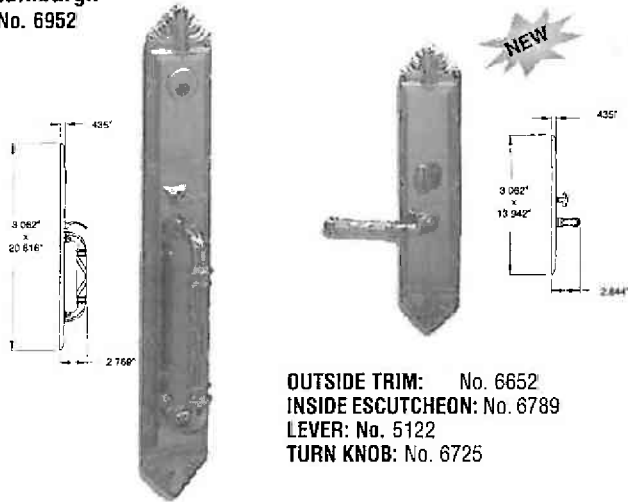
BALDWIN®

AskYourLocksmith.com
Lancaster, Pennsylvania
Phone 717-392-6333

• HANDLESET TRIM (FORGED BRASS)

Sets include outside trim and inside escutcheons only. Mortise lock and cylinder sold separately.

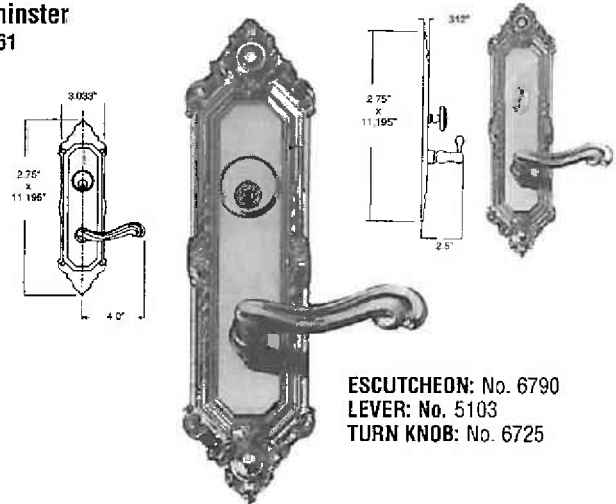
Edinburgh No. 6952



OUTSIDE TRIM: No. 6652
INSIDE ESCUTCHEON: No. 6789
LEVER: No. 5122
TURN KNOB: No. 6725

P/N	Finish	Function	Retail
BA6952-003-LDBL	Lifetime Brass	LH Double Cyl	813.00
BA6952-003-RDBL	Lifetime Brass	RH Double Cyl	813.00
BA6952-003-LENT	Lifetime Brass	LH Entrance	813.00
BA6952-003-RENT	Lifetime Brass	RH Entrance	813.00
BA6952-003-LFD	Lifetime Brass	LH Full Dummy	813.00
BA6952-003-RFD	Lifetime Brass	RH Full Dummy	813.00

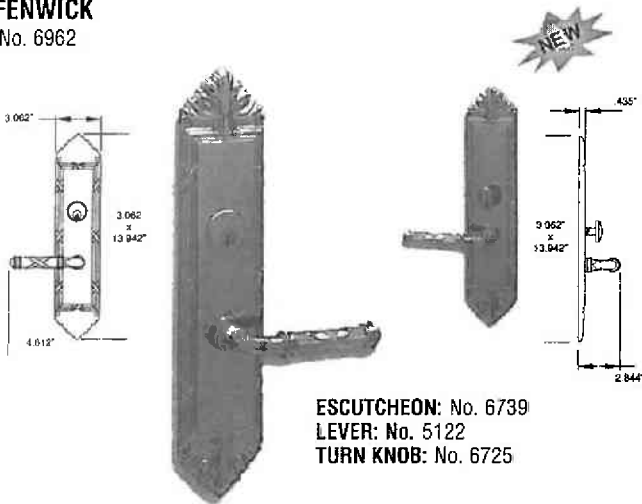
Westminster No. 6961



ESCUTCHEON: No. 6790
LEVER: No. 5103
TURN KNOB: No. 6725

P/N	Finish	Function	Retail
BA6961-003-LENT	Lifetime Brass	LH Entrance	488.00
BA6961-003-RENT	Lifetime Brass	RH Entrance	488.00
BA6961-003-LFD	Lifetime Brass	LH Full Dummy	488.00
BA6961-003-RFD	Lifetime Brass	RH Full Dummy	488.00

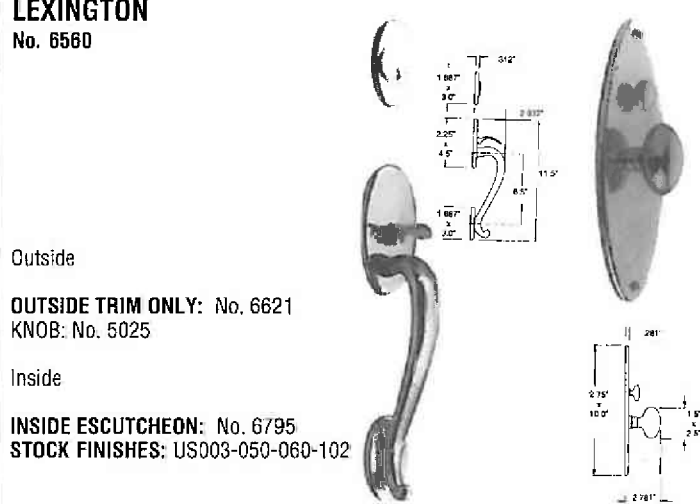
FENWICK No. 6962



ESCUTCHEON: No. 6739
LEVER: No. 5122
TURN KNOB: No. 6725

P/N	Finish	Function	Retail
BA6962-003-LENT	Lifetime Brass	LH Entrance	488.00
BA6962-003-RENT	Lifetime Brass	RH Entrance	488.00
BA6962-003-LFD	Lifetime Brass	LH Full Dummy	488.00
BA6962-003-RFD	Lifetime Brass	RH Full Dummy	488.00

LEXINGTON No. 6560



Outside

OUTSIDE TRIM ONLY: No. 6621
KNOB: No. 5025

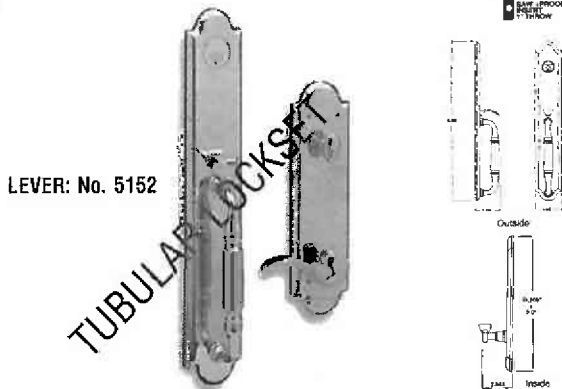
Inside

INSIDE ESCUTCHEON: No. 6795
STOCK FINISHES: US003-050-060-102

BA6560-003	Polished Brass-Lifetime Finish	499.00
BA6560-050	Satin Brass and Black	433.00
BA6560-060	Satin Brass and Brown	433.00
BA6560-102	Oil Rubbed Bronze	433.00

- HANDLESET TRIM
- MORTISE LOCK BODIES

DEVONSHIRE - EMERGENCY EGRESS TUBULAR HANDLESET
 No. 6401



LEVER: No. 5152

P/N	Finish	Function	Retail
BA6401-003-LENT	Lifetime Brass	LH Entrance	635.00
BA6401-003-RENT	Lifetime Brass	RH Entrance	635.00
BA6401-003-LFD	Lifetime Brass	LH Full Dummy	543.00
BA6401-003-RFD	Lifetime Brass	RH Full Dummy	543.00

OVAL EDINBURGH EMERGENCY EGRESS TUBULAR LOCKSET



KNOB: No. 5031
 ESCUTCHEON: No. 6421

P/N	Finish	Function	Retail
BA6450-003-ENTR	Lifetime Brass	Entrance	562.00
BA6450-003-FD	Lifetime Brass	Full Dummy	469.00

MORTISE LOCK BODIES

Heavy Duty Functions For doors 1 3/8"-1 3/4" thick, and over. Available in the following finishes: 030, 040, 050, 060, 070, 100, 102, 151, 190, 260, 264.

Standardized heavy steel case is smooth, easy to mortise, and assures snug and solid fit in door mortise. Vital interior working parts are made of solid hot forged brass or steel for a lifetime of trouble-free operation. Armored front provides maximum strength and protection against tampering. Most lock functions are completely reversible. The bevel of front is adjustable from flat to standard level .125" on 2".

UL LISTING: Listed by Underwriters Laboratories Inc. on all series of single-point locks or latches illustrated in this section. Control No. F-901Y.

STRIKE: Wrought brass and bronze finished to match. Supplied to ANSI standard A115.1 1/4" lip to center. Locks furnished standard with straight lip strike(Universal) and wrought Box. Curved lip and special length strikes available.

TEMPLATE: Metal doors/frames to be prepared in accordance with ANSI A1151.2 or A115.11 FACE CUTOUTS ARE SUBJECT TO VARIATION. ALWAYS REVIEW TRIM REQUIREMENTS BEFORE DOOR PREPARATION.

FEDERAL SPECIFICATION: Conforms to Federal Specifications FF-H106, Series 86/87 and to all Performance and Structural Specifications of ANSI A 156. 13, Series 1000. Grade 1.

2 3/4" BACKSET

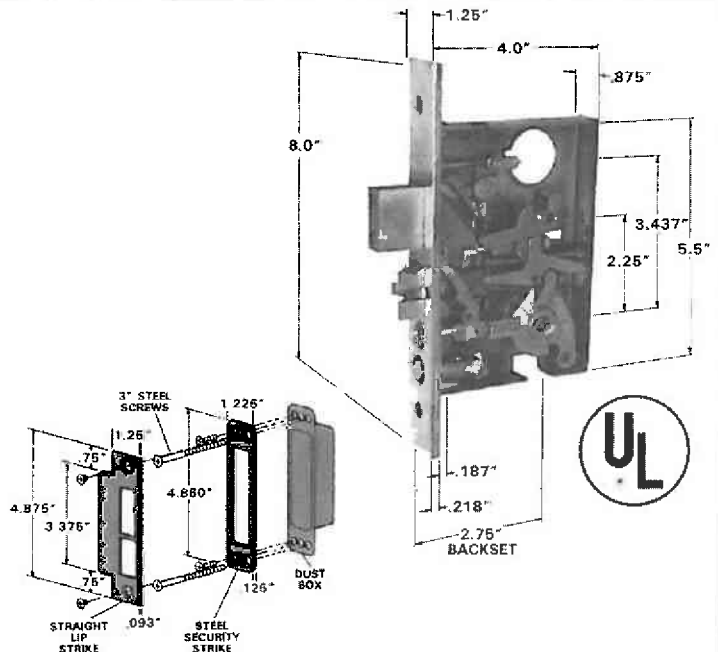
STEEL CASE: .875" x 5.5".

FRONT: Hot forged brass .218" x 1.25" x 8". Adjustable for beveled conditions.

SCALP: Wrought brass and bronze, available in standard finishes.

ANTI-FRICTION LATCH BOLT: Hot forged brass 5/8" x 1" x 7.5" throw. Furnished in US4 and 26D finishes to match trim.

DEAD BOLT: .5" x 1 1/4" x 1" throw with two saw-proof inserts. Furnished in US4 and 26D finishes to match trim.



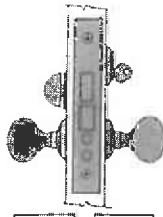
HUB SIZE: 29" (7mm) with two-way rotation. Broached on the diamond. (One-way rotation on LS functions).

SPACING: Center to center of: Knob Hub to cylinder 3.437" Knob Hub to turn piece 2 1/4".

CYLINDER: Standard mortise type with O3 keyway and two nickel silver keys. Locks furnished separately are supplied with a 1.125" length cylinder unless specified otherwise.

KEYING: All levels of Keying including Construction Keying are available.

ENTRANCE-EMERGENCY EGRESS



Inside Outside

No. 6075 Knob Function
No. 6075-LS Lever Function

STANDARD FEATURES



SAW-PROOF
INSERTS
1" THROW



SECURITY
STOP

BA6075	Knob Function
BA6075 LS	Lever Function

317⁰⁰ 003 Finish

Latch bolt by knob from either side, except when outside knob is locked by stop in front, then latch bolt by key outside and knob inside. Dead bolt by key outside and turn piece inside. When dead bolt is thrown, stop is automatically activated making outside knob rigid. Inside knob retracts latch and dead bolt simultaneously but DOES NOT free outside knob. 1" throw dead bolt with saw-proof inserts is standard equipment. When extended, Deadbolt deadlocks latch bolt.

FEDERAL SPECIFICATION EQUIVALENTS; ANSI Series: 1000-F12/F20

RESIDENTIAL ENTRANCE-EMERGENCY EGRESS



Inside Outside

No. 6021 Knob Function
No. 6021-LS Lever Function

STANDARD FEATURES



SAW-PROOF
INSERTS
1" THROW



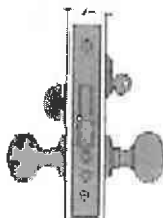
SECURITY
STOP

BA6021	Knob Function
BA6021 LS	Lever Function

317⁰⁰ 003 Finish

Latch bolt by thumb piece outside, and knob inside; except when thumb piece is locked by stop in front; then latch bolt by key outside and knob inside. Dead bolt by key outside and turn piece inside. When dead bolt is thrown, stop is automatically activated making outside thumb piece rigid. Inside knob retracts latch and dead bolt simultaneously but DOES NOT free outside thumb piece. 1" (25mm) throw dead bolt with saw-proof inserts is standard equipment. When extended, Deadbolt deadlocks latch bolt.

RESIDENTIAL ENTRANCE



Inside Outside

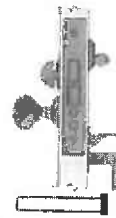
BA6001	Knob Function
BA6001 LS	Lever Function

317⁰⁰ 003 Finish

Latch bolt by Knob from either side, except when outside knob is locked by stop in front; then latch bolt by key outside and knob inside. Deadbolt by key outside and turn piece inside. Continuous turn of key outside retracts both latch and Deadbolt. 1" throw dead bolt with saw-proof inserts is standard equipment. When extended, Deadbolt deadlocks latch bolt.

FEDERAL SPECIFICATION EQUIVALENTS;
ANSI Series: 1000-F08/F10

RESIDENTIAL ENTRANCE



Inside Outside

No. 6020 Knob Function
No. 6020-LS Lever Function

STANDARD FEATURES



SAW-PROOF
INSERTS
1" THROW



SECURITY
STOP

BA6020	Knob Function
BA6020 LS	Lever Function

317⁰⁰ 003 Finish

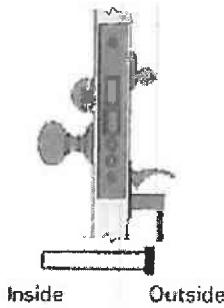
Latch bolt by thumb piece outside and knob inside, except when thumb piece is locked by stop in front; then latch bolt by key outside and knob inside. Dead bolt by key outside turn piece inside. Continuous turn of key outside retracts both latch and dead bolt 1" throw dead bolt with saw-proof inserts is standard. When extended, dead bolt deadlocks latch bolt.

FEDERAL SPECIFICATION EQUIVALENT: Government Type: 122A

•MORTISE LOCK BODIES

2 1/2" Backset

RESIDENTIAL ENTRANCE

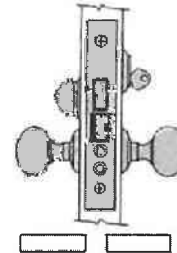


BA6320	Knob Function
BA6320 LS	Lever Function

317⁰⁰ 003 Finish

Latch bolt by thumbpiece outside and knob inside, except when thumbpiece is locked by stop in front; then latch bolt by key outside and knob inside. Dead bolt by key outside and turn piece inside. Continuous turn of key outside retracts both latch and Deadbolt. 1" (25mm) throw Deadbolt with saw-proof inserts is standard equipment. When extended, Deadbolt deadlocks latch bolt.

RESIDENTIAL ENTRANCE



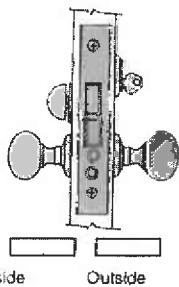
BA6301	Knob Function
BA6301 LS	Lever Function

317⁰⁰ 003 Finish

Latch bolt by knob from either side, except when outside knob is locked by stop in front; then latch bolt by key outside and knob inside. Dead bolt by key outside and turn piece inside. When dead bolt is thrown, stop is automatically activated making outside knob rigid. 1" (25mm) throw dead with saw-proof inserts is standard equipment. When extended, Deadbolt deadlocks latch bolt.

ENTRANCE AND APARTMENT-EMERGENCY EGRESS

Not Field Reversible



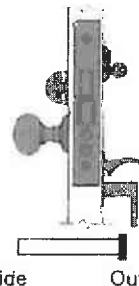
BA6375	Knob Function
BA6375 LS	Lever Function

317⁰⁰ 003 Finish

Latch bolt by knob from either side, except when outside knob is locked by stop in front; then latch bolt by key outside and knob inside. Dead bolt by key outside and turn piece inside. When Deadbolt is thrown, stop is automatically activated making outside knob rigid. Inside knob retracts both latch and Deadbolt simultaneously but DOES NOT free outside knob. 1" throw Deadbolt with saw-proof inserts is standard equipment. When extended, Deadbolt deadlocks latch bolt.

RESIDENTIAL - EMERGENCY EGRESS

Not Field Reversible

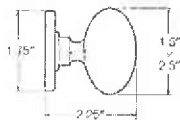


BA6321	Knob Function
BA6321 LS	Lever Function

317⁰⁰ 003 Finish

Latch bolt by thumbpiece outside, and knob inside; except when thumbpiece is locked by stop in front; then latch bolt by key outside and knob inside. Dead bolt by key outside and turn piece inside. When dead bolt is thrown, stop is automatically activated making outside thumbpiece rigid. Inside knob retracts latch and dead bolt simultaneously but DOES NOT free outside thumbpiece. 1" (25mm) throw dead bolt with saw-proof inserts is standard equipment. When extended, Deadbolt deadlocks latch bolt.

DECORATIVE FORGED BRASS KNOB DESIGNS



Roses & Spindles Not Supplied Price/pr

BA5025-003	Lifetime Brass	144.00
BA5025-030	Polished Brass	126.00
BA5025-060	Satin Brass and Brown	126.00
BA5025-102	Oil Rubbed Bronze	126.00
BA5025-260	Polished Chromium	126.00
BA5025-264	Satin Chromium	126.00



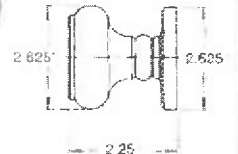
BA5022-030

Polished Brass

126.00/

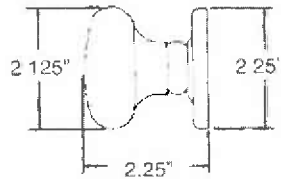
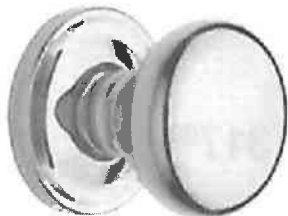
pr.

Roses & Spindles Not Supplied



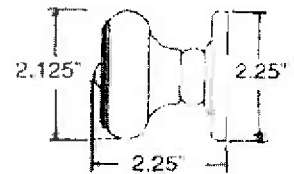
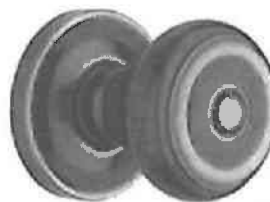
Roses & Spindles Not Supplied Price/pr

BA5064-030	Polished Brass	134.00
BA5064-060	Satin Brass/ Brown	134.00



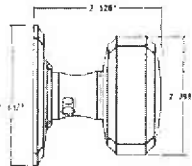
Roses & Spindles Not Supplied Price/pr

BA5015-003	Lifetime Brass	144.00
BA5015-030	Polished Brass	126.00
BA5015-060	Satin Brass and Brown	126.00
BA5015-102	Oil Rubbed Bronze	126.00
BA5015-260	Polished Chromium	126.00
BA5015-264	Satin Chromium	126.00



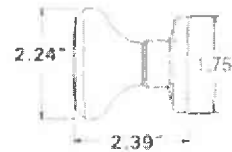
Roses & Spindles Not Supplied Price/pr

BA5020-003	Lifetime Brass	144.00
BA5020-030	Polished Brass	126.00
BA5020-060	Satin Brass and Brown	126.00
BA5020-260	Polished Chromium	126.00



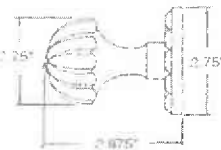
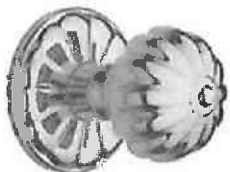
Roses & Spindles Not Supplied Price/pr

BA5011-030	Polished Brass	146.00
BA5011-060	Satin Brass and Brown	146.00



Roses & Spindles Not Supplied Price/pr

BA5023-030	Polished Brass	126.00
BA5023-060	Satin Brass and Brown	126.00



Roses & Spindles Not Supplied Price/pr

BA5072-003	Lifetime Brass	152.00
BA5072-030	Polished Brass	134.00
BA5072-050	Satin Brass and Black	134.00
BA5072-151	Antique Nickel, Dull	134.00



Roses & Spindles Not Supplied Price/pr

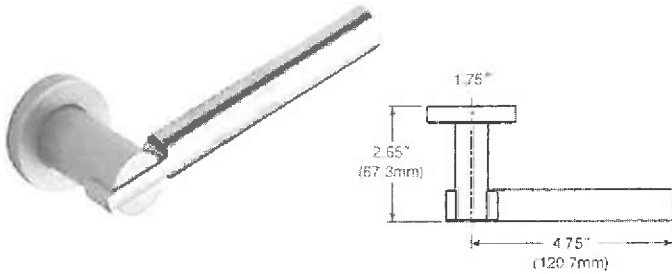
BA5040-003	Lifetime Brass	160.00
BA5040-030	Polished Brass	146.00
BA5040-102	Oil Rubbed Bronze	146.00
BA5040-260	Polished Chromium	146.00
BA5040-264	Satin Chromium	146.00



Roses & Spindles Not Supplied Price/pr

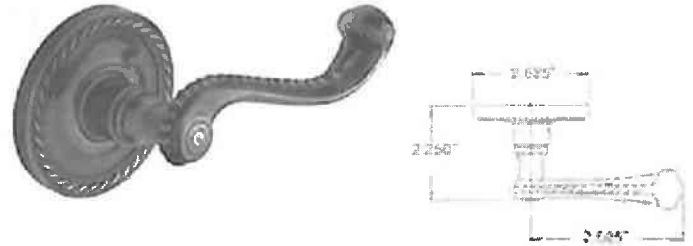
BA5066-003	Lifetime Brass	160.00
BA5066-030	Polished Brass	146.00
BA5066-060	Satin Brass and Brown	146.00
BA5066-260	Polished Chromium	146.00

DECORATIVE FORGED BRASS LEVER DESIGNS



Roses & Spindles Not Supplied

		Price/pr
BA5161-003	Lifetime Brass	152.00
BA5161-030	Polished Brass	134.00
BA5161-060	Satin Brass and Brown	134.00
BA5161-260	Polished Chromium	134.00



Roses & Spindles Not Supplied

		Price/pr
BA5104-003	Lifetime Brass	152.00
BA5104-030	Polished Brass	134.00
BA5104-060	Satin Brass and Brown	134.00



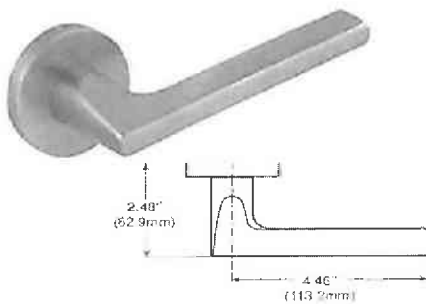
Roses & Spindles Not Supplied

		Price/pr
BA5116-003	Lifetime Brass	160.00
BA5116-030	Polished Brass	146.00
BA5116-060	Satin Brass and Brown	146.00



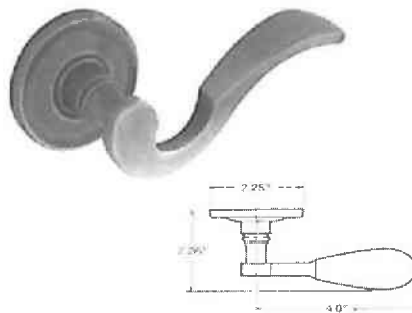
Roses & Spindles Not Supplied

		Price/pr
BA5117-003	Lifetime Brass	152.00
BA5117-030	Polished Brass	134.00
BA5117-102	Oil Rubbed Bronze	134.00
BA5117-260	Polished Chromium	134.00
BA5117-264	Satin Chromium	134.00



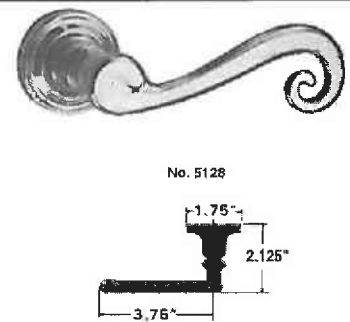
Roses & Spindles Not Supplied

		Price/pr
BA5162-003	Lifetime Brass	152.00
BA5162-030	Polished Brass	134.00
BA5162-060	Satin Brass and Brown	134.00



Roses & Spindles Not Supplied

		Price/pr
BA5152-003	Lifetime Brass	144.00
BA5152-030	Polished Brass	126.00
BA5152-060	Satin Brass and Brown	126.00



Roses & Spindles Not Supplied

		Price/pr
BA5128-003	Lifetime Brass	134.00
BA5128-030	Polished Brass	88.00
BA5128-060	Satin Brass and Brown	116.00

•NUMBERS •Bell Buttons

DECORATIVE FORGED BRASS HOUSE NUMBERS

Designed for attractiveness and easy reading. Numerals are surface applied with truss head wood screws for easy installation. Standard 003-Lifetime Polished Brass finish. Other finishes may be ordered in minimum quantities of 50. Comes complete with fasteners. Packed on a merchandising card, 5 per box.

5" NUMBERS

Code	Finish	Price
BA90670-BA90679	003	23.00
BA90670-BA90679	030	20.00
BA90670-BA90679	031	20.00
BA90670-BA90679	038	20.00
BA90670-BA90679	050	20.00
BA90670-BA90679	102	20.00
BA90670-BA90679	112	20.00
BA90670-BA90679	140	20.00
BA90670-BA90679	150	20.00
BA90670-BA90679	151	20.00
BA90670-BA90679	190	20.00
BA90670-BA90679	260	20.50
BA90670-BA90679	264	20.00
BA90670-BA90679	402	23.00
BA90670-BA90679	452	23.00



BA90670-003 5"



BA90671-003 5"



BA90672-003 5"



BA90673-003 5"



BA90674-003 5"



BA90675-003 5"



BA90676-003 5"



BA90677-003 5"



BA90678-003 5"



BA90679-003 5"

SOLID BRASS ILLUMINATED ELECTRICAL DOORBELLS

Bell buttons that have been designed to accessorize the Baldwin line of entrance locksets. A brass ring surrounds the plastic push button to provide extra strength. In antique white, the button is always illuminated for nighttime detection. Individually polybagged, one to a box. **Note:** The ring surrounding the plastic push button is made of brass and is only available in a 040-Satin Brass finish.

Code	Finish	Size	Price
BA4850-003	Lifetime Brass	1 3/4"	51.00
BA4851-003	Lifetime Brass	1 3/4"	48.00
BA4851-150	Satin Nickel Plated	1 3/4"	41.00
BA4851-151	Antique Nickel Dull	1 3/4"	41.00
BA4852-003	Lifetime Brass	2" x 1 1/8"	48.00
BA4852-150	Satin Nickel Plated	2" x 1 1/8"	41.00
BA4852-151	Antique Nickel Dull	2" x 1 1/8"	41.00
BA4853-003	Lifetime Brass	2 1/4" x 1"	39.00
BA4853-150	Satin Nickel Plated	2 1/4" x 1"	33.00
BA4853-151	Antique Nickel Dull	2 1/4" x 1"	33.00
BA4853-264	Satin Chromium	2 1/4" x 1"	33.00
BA4854-060	Satin Brass & Brown	2 3/4" x 1 1/2"	36.50
BA4855-030	Polished Brass	4 1/2" x 2 3/4"	30.00
BA4856-003	Lifetime Brass	5 1/8" x 3"	54.00
BA4856-030	Polished Brass	5 1/8" x 3"	33.00
BA4857-003	Lifetime Brass	2" x 1 1/2"	57.00
BA4858-003	Lifetime Brass	3" x 1.7"	57.00
BA4858-150	Satin Nickel Plated	3" x 1.7"	48.00



No. 4850



No. 4851



No. 4852



No. 4853



No. 4854



No. 4855



No. 4856



No. 4857



No. 4858

•KNOCKERS •Knockers Accessories

DECORATIVE ENTRANCE DOOR KNOCKERS

- Always specify the door thickness when ordering door knockers with Observ-O-Scopes, otherwise the standard for 1 3/4" (44mm.) doors will be provided.
- Available in finishes other than the stock items listed below.
Minimum quantity: 50.

- Polybagged, packed one in a box, with necessary fasteners.
- All engraving requirements must be confirmed in writing. Only Modern Gothic characters are available. Maximum number of characters, including spaces and punctuation: 15. Letters are 1/4" (6mm.) high.

IMPERIAL

BA0116-003	Lifetime Polished Brass	92.00
BA0116-060	Satin Brass and Brown	79.00



SIZE: 8.5" x 4.125" (216 x 104mm)
CTC of bolts: 4.75" (121mm)

VICTORIAN

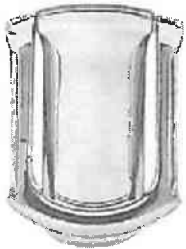
BA0110-003	Lifetime Polished Brass	92.00
BA0110-060	Satin Brass and Brown	69.00
BA0110-150	Satin Nickel	69.00
BA0110-151	Antique Nickel, Dull	69.00



SIZE: 7.00" x 3.5" (178 x 89mm)
CTC of bolts: 6.437" (163mm)

TAHOE

BA0105-003	Lifetime Polished Brass	103.00
BA0105-050	Satin Brass and Black	87.00
BA0105-112	Venetian Bronze	87.00
BA0105-150	Satin Nickel	87.00
BA0105-151	Antique Nickel, Dull	87.00
BA0105-190	Satin Black	87.00
BA0105-452	Distressed Antique Nickel	103.00



SIZE: 5.5" x 4.03"
CTC of bolts: 4"

"S" KNOCKER



SIZE: 2" dia. base (51mm)
7.75" high (197mm)
2.75" projection (70mm)
CTC of Bolts: 5" (127mm)

BA0113-003 Lifetime Brass 163.00

No. 0113

RING

BA0195-003	Lifetime Brass	140.00
BA0195-260	Polished Chromium	119.00



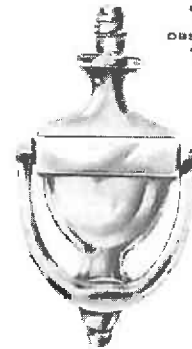
SIZE: 4.25" x 5.5" (108 x 140mm)
CTC of bolts: 3.75" (95mm)
Engraving NOT available

COLONIAL

BA0102-003 Lifetime Brass 74.00	BA0102-151 Antique Nickel 63.00
---------------------------------------	---------------------------------------

w/Observ-O-Scope

BA0103-003 Lifetime Brass 96.00	BA0103-151 Antique Nickel 81.00
---------------------------------------	---------------------------------------



SIZE: 6.5" x 3.5" (165 x 89mm)
CTC of bolts: 4" (102mm)
Engraving NOT available.

SCREW COVERS

Specially designed 1"-diameter screw cover that conceals the screw head. When ordering, specify finish to match door knocker.

STOCK FINISHES: Available in finishes to match our door knockers.

15⁰⁰ /ea.
003 Finish



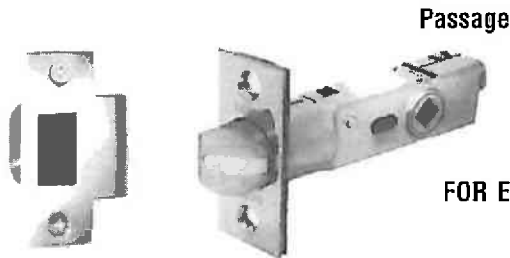
BA0129
Use with Colonial Designs

BA0175
Use with Modern Designs

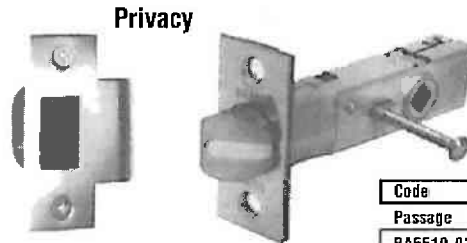
- FLUSH BOLTS**
- LATCHES**
- Extension Flush Bolts**
- SURFACE BOLTS**

TUBULAR LATCH SETS

A step above ordinary zinc die cast tubular latches. Features sturdy non-corrosive construction and heavy gauge stainless steel housing. All components are forged brass. Packed one per box supplied with wrought box strike, wood fasteners and template. Specify choice of finish: 030, 040, 050, 060, 100, 151, 260, 264



FOR ESTATE KNOBS & LEVERS ONLY



Code	Trim	Backset	Price
Passage			
BA5510-030	Knob	2 3/8"	62.00
BA5513-030	Lever	2 3/8"	62.00
BA5520-030	Knob	2 3/4"	62.00
BA5523-030	Lever	2 3/4"	62.00
Privacy			
BA5510-P-030	Knob	2 3/8"	62.00
BA5513-P-030	Lever	2 3/8"	62.00
BA5520-P-030	Knob	2 3/4"	62.00
BA5523-P-030	Lever	2 3/4"	62.00

ORNAMENTAL HEAVY DUTY SURFACE BOLTS

Rugged, yet attractive. Heavy gauge strikes can absorb great abuse. Ornamental cover plates that conceal mounting guides under the bolts without marring the surface of the rod. Features a large - 1 1/4" diameter knob for easy operation. Codes BA0378 and BA0379 are packed five in a box with a Universal strike and screws. All other reference numbers are packed individually, with Universal strike and screws. Width of rod: 5/8" (16 mm.) Width of guide: 1 3/4" (44mm.)



Code	Finish	Bolt Length	No. of Covers	Price
BA0378-030	Polished Brass	4"	2	60.00
BA0379-030	Polished Brass	6"	2	75.00
BA0380-030	Lifetime Brass	8"	2	111.00
BA0380-102	Oil Rubbed Bronze	8"	2	95.00
BA0381-102	Oil Rubbed Bronze	12"	3	119.00
BA0382-030	Polished Brass	18"	3	138.00
BA0383-030	Polished Brass	24"	4	164.00

EXTENSION FLUSH BOLTS

FOR WOOD/METAL DOORS

Solid Forged Brass Construction

SIZE: Face Plate - 1" x 6 3/4"

FEATURES: HOT FORGED extension bolt with over 3/4" throw. Unique push button design of lever and delay action for easy operation. Lever does not engage the bolt until it is hinged freely to 45° angle. At this position, it is easy to move the bolt head. Lever snaps automatically when hinged beyond 45° angle. Made to template for easy installation in metal door frames. Use of strike optional. Bolt Head: 5", Rod Backset: 3/4".

PACKED: One in a box with 12" rod. Each bolt is individually polybagged with combination machine/wood screws for all conditions.

UL LISTINGS: Listed by Underwriters Laboratories Inc. under Control NO. 760N.

FEDERAL SPECIFICATIONS EQUIVALENTS: Government Type: 1049; BHMA Designation: LC4201.

BA0600-030	Polished Brass	28.00
BA0600-102	Oil Rubbed Bronze	28.00
BA0600-260	Polished Chromium	28.00
BA0600-264	Satin Chromium	28.00

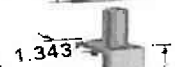
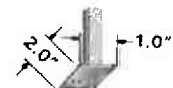
RESIDENTIAL FLUSH BOLTS

FEATURES: Smooth forged brass construction. Sharply defined edge and recess. Smooth working action with automatic holding spring for both retracted and projected positions. High quality flush bolt, not to be mistaken for wrought metal types.

PACKED: Individually polybagged with screws and strike; 10 in a box.

Catalog Number	Throw	Backset of Rod	Bolt Head Diameter
0626	1" (25 mm)	468" (12 mm)	5" (13 mm)

BA0626-030	Polished Brass	22.00
BA0626-102	Oil Rubbed Bronze	22.00
BA0626-264	Satin Chromium	22.00



Also available in the following finishes:

- 050 Satin Brass & Black
- 060 Satin Brass & Brown
- 112 Venetian Bronze
- 150 Satin Nickel
- 260 Polished Chromium



No. 0600-XXX-XX

No. 0626

EXTERIOR LIGHTING

Baldwin Exterior Lighting is a dream come true, with superbly crafted fixtures in solid brass designed to coordinate with the period and style of your home, whether it be 18th Century traditional or 21st Century modern. And the good news continues since each of these brilliant sources of light is guaranteed to retain its original beauty for its lifetime; it will never pit, tarnish or discolor. Baldwin is as proud of its proprietary Lifetime Finish[™] as you are of your home.

BRIDGEWATER[™]

BA7330-003T **527.00**
 Length: 24"
 Width: 7 5/8"
 Projection: 9 15/16"
 Bulb Type: Std Base, 100W
 Configuration: Single Socket
 Shipping Weight: 11.15 lbs.



BA7332-003 **466.00**
 Length: 16 3/4"
 Width: 6 3/4"
 Projection: 8 5/8"
 Bulb Type: Std Base, 100W
 Configuration: Single Socket
 Shipping Weight: 9.1 lbs.



BA7331-003 **371.00**
 Length: 16 11/16"
 Width: 7 5/8"
 Projection: none
 Bulb Type: Std Base, 100W
 Configuration: Single Socket
 Shipping Weight: 8.35 lbs.



BA7334-003 **428.00**
 Length: 10 1/8"
 Width: 6"
 Projection: 5 3/4"
 Bulb Type: Std Base, 100W
 Configuration: Single Socket
 Shipping Weight: 5.2 lbs.



PIER MOUNT BASE

BA7364-003 **106.00**
 Diameter: 7"
 Mount Opening: 3"
 Shipping Wt.: 1.55 lbs.



CUMBERLAND[™]

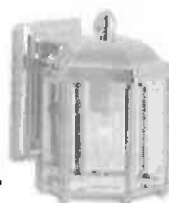
BA7345-003T **626.00**
 Length: 26"
 Width: 7 3/8"
 Projection: 10 1/4"
 Bulb Type: Candelabra
 Base, Type B, 60W
 Configuration: Three Sockets
 Shipping Weight: 13.65 lbs.



BA7346-003 **466.00**
 Length: 18 1/8"
 Width: 7 3/8"
 Bulb Type: Candelabra
 Base, Type B 60W
 Configuration: Three Sockets
 Shipping Weight: 11.05 lbs.



BA7342-003 **353.00**
 Length: 8 13/16"
 Width: 6 3/4"
 Projection: 6 11/16"
 Bulb Type: Std Base, 60W
 Configuration: Single Bulb
 Shipping Wt.: 6.15 lbs.



BA7343-003 **375.00**
 Length: 11 5/16"
 Width: 6 3/4"
 Projection: 6 11/16"
 Bulb Type: Std Base, 60W
 Configuration: Single Bulb
 Shipping Wt.: 6.9 lbs.

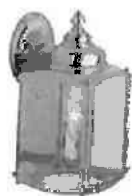


EXETER[™]

BA7320-003 **331.00**
 Length: 17 1/8"
 Width: 5 1/4"
 Projection: 6 1/16"
 Bulb Type: Std Base, 100W
 Configuration: Single Socket
 Shipping Weight: 5.85 lbs.



BA7322-003 **289.00**
 Length: 10 3/8"
 Width: 5 1/4"
 Projection: 6 1/16"
 Bulb Type: Std Base, 100W
 Configuration: Single Socket
 Shipping Weight: 5.25 lbs.



BA7324-003 **389.00**
 Length: 21 1/8"
 Width: 6 1/2"
 Projection: 7 1/2"
 Bulb Type: Std Base, 100W
 Configuration: Single Socket
 Shipping Weight: 9.9 lbs.



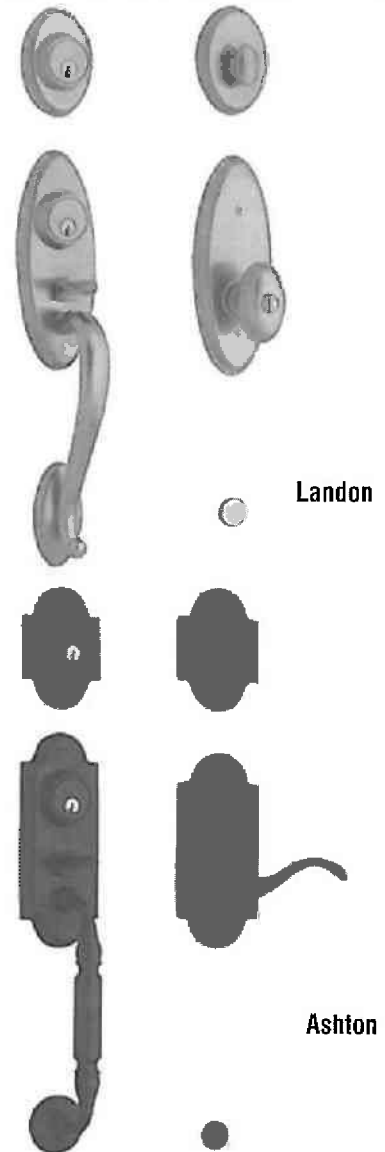
IMAGES® TWO-POINT LOCK SETS

NEW!

WHAT YOU'VE ALL BEEN WAITING FOR

MECHANICAL FEATURES-TWO-POINT LOCK SETS

- **SOLID FORGED BRASS:** Entrance handle, cylinder collar, knob, rose and turn piece are manufactured of solid forged brass for maximum strength and durability.
- **INSTALLATION:** Images lock sets are designed for easy installation on wood or metal doors with use of template provided.
- **DOOR THICKNESS:** Lock sets accommodate a door thickness of 1-3/4" (44mm) to 2" (51 mm).
- **CASE:** Deadbolt and latch case are formed of steel for strength. Most interior working parts are made of solid brass or steel for maximum strength and smooth operation.
- **BACKSET:** Adjustable backset 2-3/8" (60mm), 2-3/4" (70mm) latch and deadbolt supplied standard.
- **FACE PLATE:** Deadbolt and latch supplied with a 1" (25mm) face plate.
- **STRIKE:** Deadbolt is furnished with a specially designed reinforcing strike constructed of high grade steel for ultimate strength and durability. The strike is installed with two (2) 3" (76mm) security jamb screws and a dust box. The security strike is covered with an armored front to conceal the fasteners. The 3" screws securing the inside face of the double cylinder deadbolt resist tampering and guard against theft. Latches are supplied standard with a box strike (other strikes are available at an additional charge.)
- **DISTANCE BETWEEN CENTER OF LATCH AND DEADBOLT (CTC):** Lockset accommodates any center-to-center dimension greater than 4-3/4" (121 mm).
- **BOLT:** Deadbolt and latch bolt constructed of solid brass. Deadbolt has 1" (25mm) throw when extended and a hardened steel insert for maximum protection and security. Latch bolt has a .5" (13mm) throw when extended to fully engage the door jamb.
- **CYLINDER:** Cylinder supplied with 5-pin keying. Cylinder is protected with a free-turning cylinder guard to resist gripping or twisting.
- **KEYS:** Designed with a 1-1/4" (32mm) wide bow surface to facilitate use by disabled and physically challenged people.
- **DOOR PREP:** Designed to fit 2-1/8" face bore with 3-hole prep.



Landon

Ashton

Functions available include:

Entrance



From exterior:
Key and thumb piece
operate handleset latch;
key operates deadbolt.

From interior:
Knob operates latch;
turn piece operates
deadbolt.

Double Cylinder



From exterior:
Key and thumb piece
operate handleset latch;
key operates deadbolt.

From interior:
Knob operates latch;
key operates deadbolt.

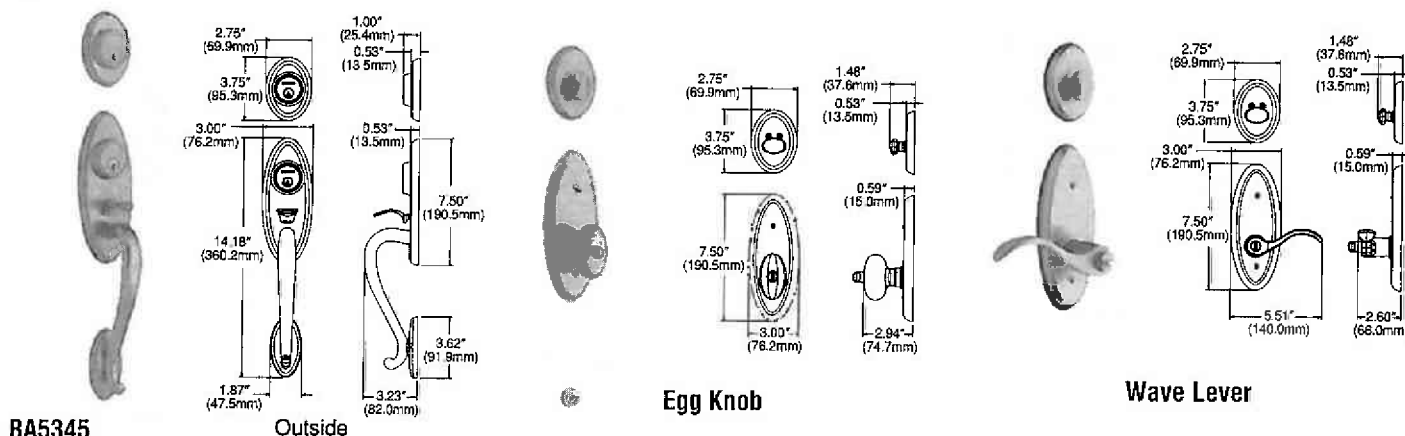
Full Dummy



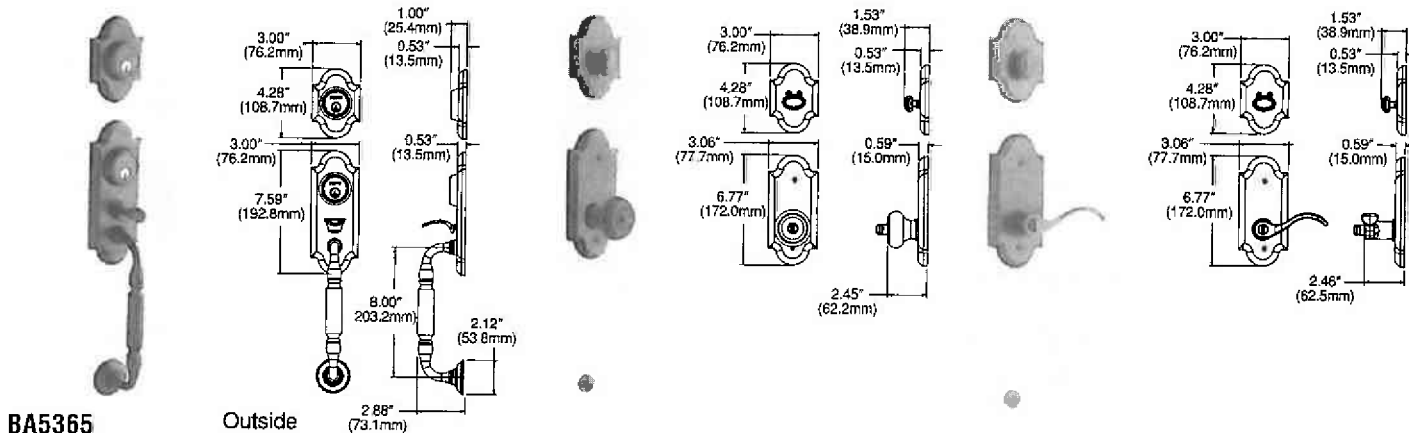
Trim for non-working
side of double doors.
Matching dummy
trim (non-functioning)
handleset and
interior trim.

2 Pt. Entrance Locks

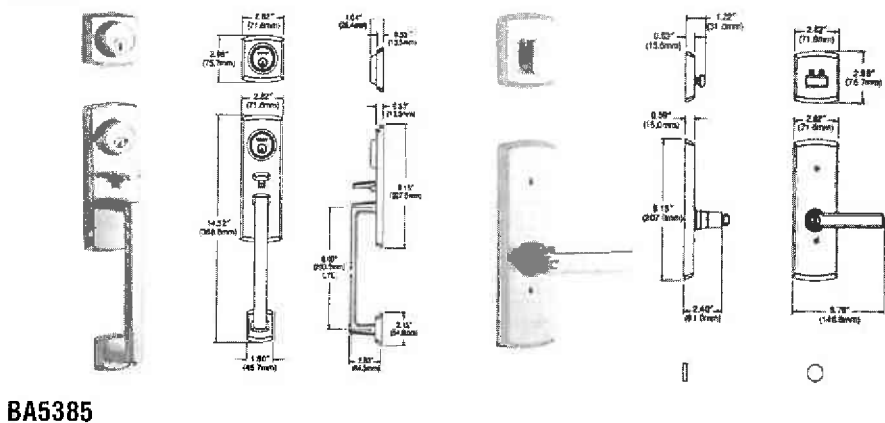
LANDON



ASHTON



SOHO



Specify: With Deadbolt or w/o Deadbolt
 Interior: Colonial Knob or Wave Lever
 Single Cylinder or Dummy

Available Finishes: 003, 031, 050, 055,
 056, 102, 112, 150,
 151, 190, 260, 264,
 402, 412, 452

• ENTRANCE HANDLES

IMAGE COLLECTION

Images locksets are featured in both traditional and contemporary styles in our most popular finishes (please consult Cross Reference of Finish Identification Numbers chart for details). Interior latchset designs coordinate beautifully with lockset styles to enable customers to carry a specific design theme throughout the home.

Distinctive packaging exudes upscale image and reflects Baldwin's tradition of quality. Each Images lockset is packed complete in a distinctive presentation package.

Functions available include:



Entrance

From exterior:

Thumb piece operates handleset latch; key operates deadbolt.

From interior:

Knob operates latch; turnpiece operates deadbolt.

Double Cylinder

From exterior:

Thumb piece operates handleset latch; key operates deadbolt.

From interior:

Knob operates latch; key operates deadbolt.



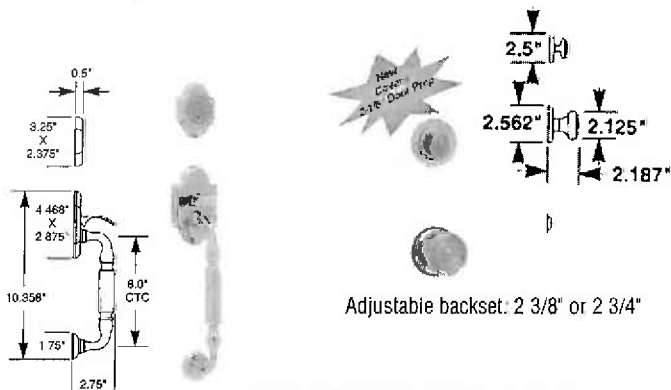
Full Dummy

Trim for non-working side of double doors. Matching dummy trim (non-functioning) handleset and interior trim.

Ask For New Baldwin Finishes:

- 402 Distressed Oil Rubbed Bronze
- 412 Distressed Venetian Bronze
- 452 Distressed Antique Nickel

Canterbury™



Adjustable backset: 2 3/8" or 2 3/4"

ALSO AVAILABLE WITH INTERIOR LEVER

Part No.	Lockset Description	Finish.	Retail
BA5305-003-ENTR	Entrance, Single Cyl.	Lifetime Brass	392.00
BA5305-003-FD	Full Dummy	Lifetime Brass	336.00
BA5305-102-ENTR	Entrance, Single Cyl.	Oil Rubbed Bronze	381.00
BA5305-150-ENTR	Entrance, Single Cyl.	Satin Nickel	381.00
BA5305-151-ENTR	Entrance, Single Cyl.	Antique Nickel	381.00

IMAGE SERIES LATCHES

Latchbolts have a .5"(13mm) throw, are reversible with fully adjustable fronts for use on beveled doors. For use with Images Sectional, Escutcheon and Emergency Exit Entrance Locksets. All latchbolts have an adjustable backset feature to accommodate 2 3/8" or 2 3/4" backsets. Packed without fasteners.

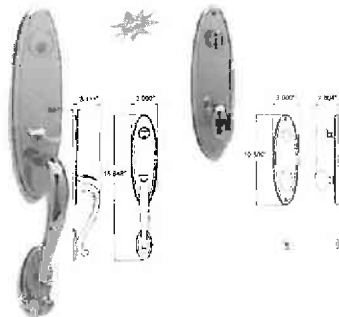


Part No.	Backset	Front Length	Front Width	Price
BA5300-XXX.9	2 3/8"-2 3/4"	2 1/4"	1"	38.00

BLAKELY

No. 5360

Adjustable backset

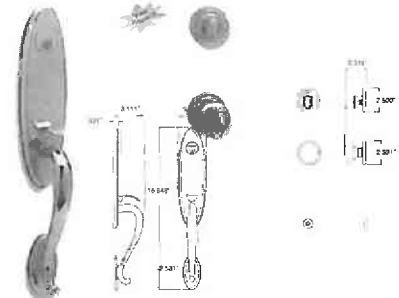


Part No.	Lockset Description	Finish.	Retail
BA5360-003-ENTR	Entrance, Single Cyl.	Lifetime Brass	524.00
BA5360-003-FD	Full Dummy	Lifetime Brass	408.00
BA5360-102-ENTR	Entrance, Single Cyl.	Oil Rubbed Bronze	508.00
BA5360-150-ENTR	Entrance, Single Cyl.	Satin Nickel	508.00
BA5360-151-ENTR	Entrance, Single Cyl.	Antique Nickel	508.00

BUCKINGHAM

No. 5380

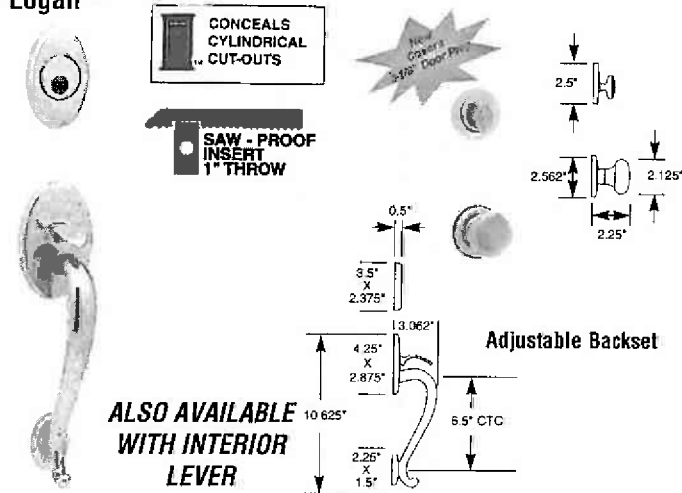
Adjustable backset



Part No.	Lockset Description	Finish.	Retail
BA5380-003-ENTR	Entrance, Single Cyl.	Lifetime Brass	430.00
BA5380-003-FD	Full Dummy	Lifetime Brass	373.00
BA5380-102-ENTR	Entrance, Single Cyl.	Oil Rubbed Bronze	417.00
BA5380-150-ENTR	Entrance, Single Cyl.	Satin Nickel	417.00
BA5380-151-ENTR	Entrance, Single Cyl.	Antique Nickel	417.00

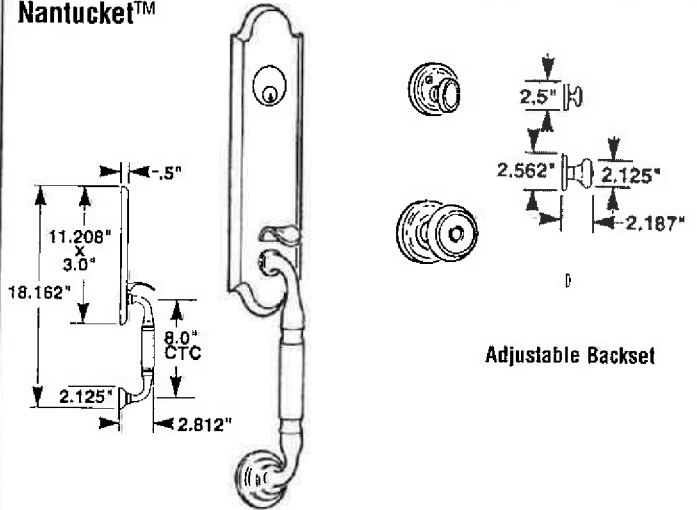
• ENTRANCE HANDLES

Logan™

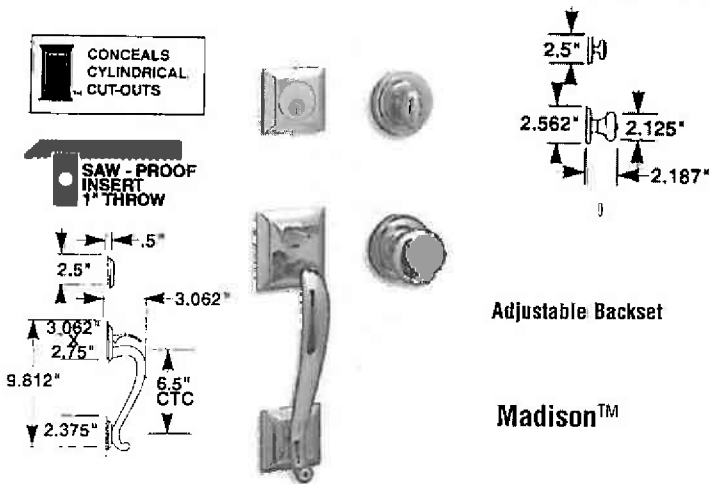


Part No.	Lockset Description	Finish.	Retail
BA5315-003-ENTR	Entrance, Single Cyl.	Lifetime Brass	392.00
BA5315-003-FD	Full Dummy	Lifetime Brass	336.00
BA5315-102-ENTR	Entrance, Single Cyl.	Oil Rubbed Bronze	381.00
BA5315-150-ENTR	Entrance, Single Cyl.	Satin Nickel	381.00
BA5315-151-ENTR	Entrance, Single Cyl.	Antique Nickel	381.00
BA5315-190-ENTR	Entrance, Single Cyl.	Satin Black	381.00

Nantucket™

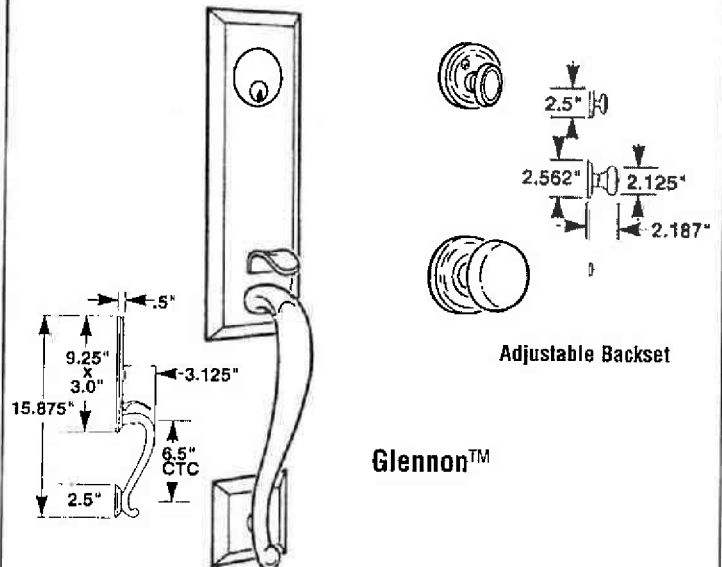


Part No.	Lockset Description	Finish.	Retail
BA5370-003-ENTR	Entrance, Single Cyl.	Lifetime Brass	430.00
BA5370-003-FD	Full Dummy	Lifetime Brass	373.00
BA5370-003-DBLC	Entrance, Double Cyl.	Lifetime Brass	450.00



Part No.	Lockset Description	Finish.	Retail
BA5320-003-ENTR	Entrance, Single Cyl.	Lifetime Brass	392.00
BA5320-003-DBLC	Entrance, Dble. Cyle	Lifetime Brass	410.00
BA5320-003-FD	Full Dummy	Lifetime Brass	336.00
BA5320-102-ENTR	Entrance, Single Cyl.	Oil Rubbed Bronze	381.00
BA5320-150-ENTR	Entrance, Single Cyl.	Satin Nickel	381.00
BA5320-151-ENTR	Entrance, Single Cyl.	Antique Nickel	381.00

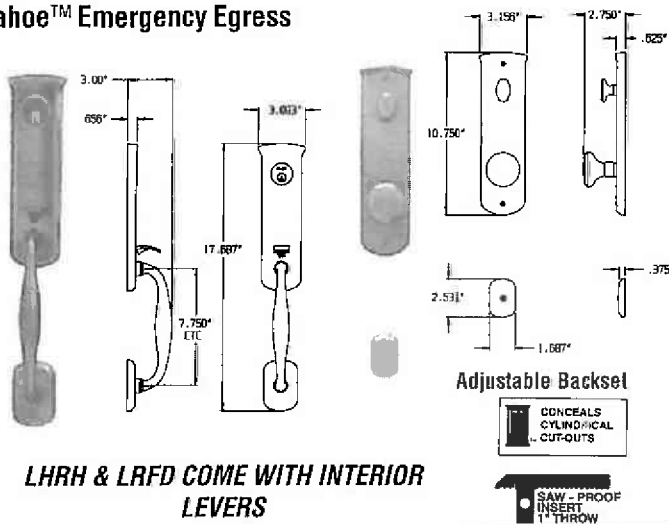
ALSO AVAILABLE WITH INTERIOR LEVER



Part No.	Lockset Description	Backset	Retail
BA5375-003-DBLC	Glennon Entrance	Adj.	450.00
BA5375-003-ENTR	Glennon Entrance	Adj.	430.00
BA5375-003-FD	Glennon Full Dummy		373.00

• ENTRANCE HANDLES

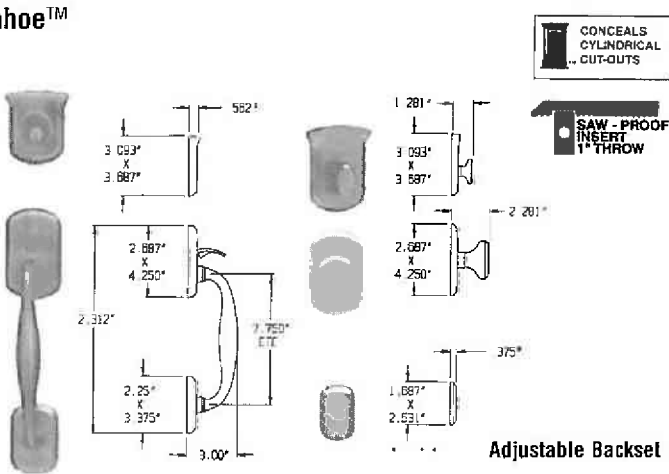
Tahoe™ Emergency Egress



LRRH & LRFD COME WITH INTERIOR LEVERS

Part No.	Lockset Description	Finish	Retail
BA5340-452-ENTR	Entrance, Single Cyl.	Distressed Ant. Nickel	587.00
BA5340-003-LRRH	Entrance, LH & RH	Lifetime Brass	587.00
BA5340-003-LRFD	Full Dummy, LH & RH	Lifetime Brass	458.00
BA5340-190-LRRH	Entrance, LH & RH	Satin Black	570.00
BA5340-190-LRFD	Full Dummy, LH & RH	Satin Black	445.00

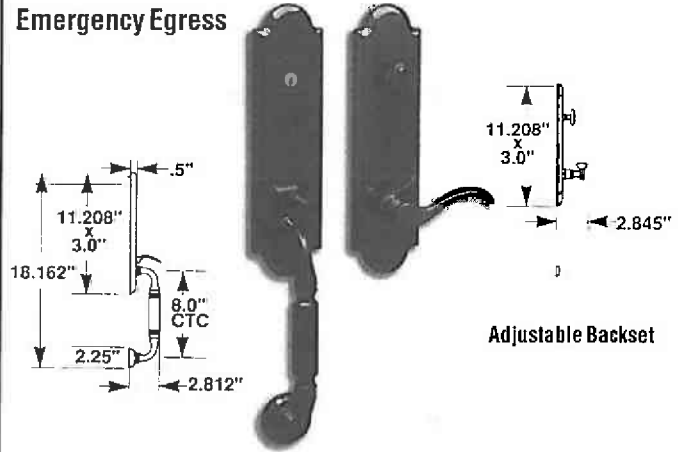
Tahoe™



LRRH & LRFD COME WITH INTERIOR LEVER

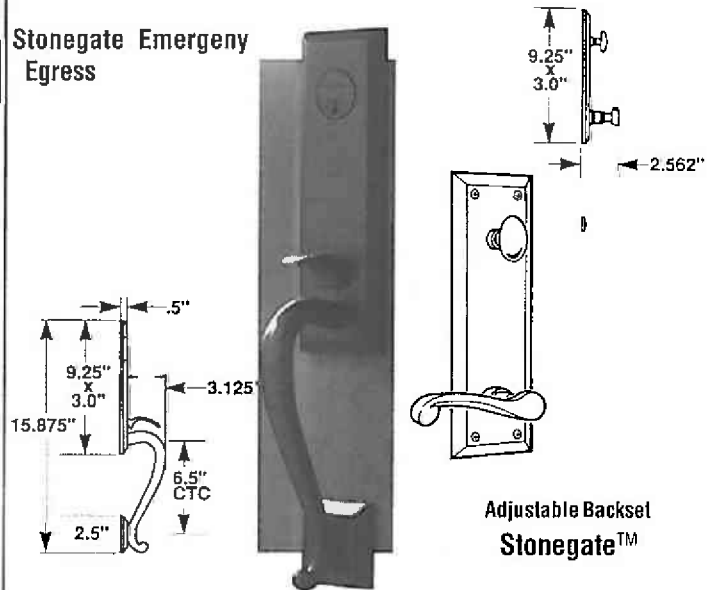
Part No.	Lockset Description	Finish	Retail
BA5325-003-ENTR	Entrance, Single Cyl.	Lifetime Brass	430.00
BA5325-112-LRRH	Entrance, LH & RH	Venetian Bronze	417.00
BA5325-190-ENTR	Entrance, Single Cyl.	Satin Black	417.00
BA5325-190-LRRH	Entrance, LH & RH	Satin Black	417.00
BA5325-190-LRFD	Full Dummy, LH & RH	Satin Black	370.00
BA5325-402-LRRH	Entrance, LH & RH	Dist. Oil Rubbed Bnz	430.00
BA5325-412-ENTR	Entrance, Single Cyl.	Dist. Venetian Bronze	430.00

Manchester™ Emergency Egress



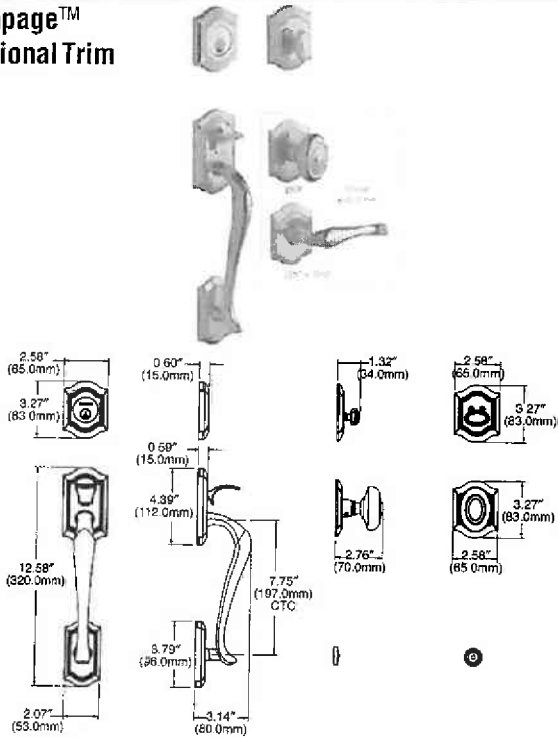
Part No.	Lockset Description	Backset	Retail
BA5350-003-LENT	Manchester Entrance LH	Adj.	524.00
BA5350-003-LFD	Manchester Full Dummy LH		408.00
BA5350-003-RENT	Manchester Entrance RH	Adj.	524.00
BA5350-003-RFD	Manchester Full Dummy RH		408.00

Stonegate™ Emergency Egress



Part No.	Lockset Description	Backset	Retail
BA5355-003-LENT	Stonegate Entrance LH	Adj.	524.00
BA5355-003-LFD	Stonegate Full Dummy LH		408.00
BA5355-003-RENT	Stonegate Entrance RH	Adj.	524.00
BA5355-003-RFD	Stonegate Full Dummy RH		408.00

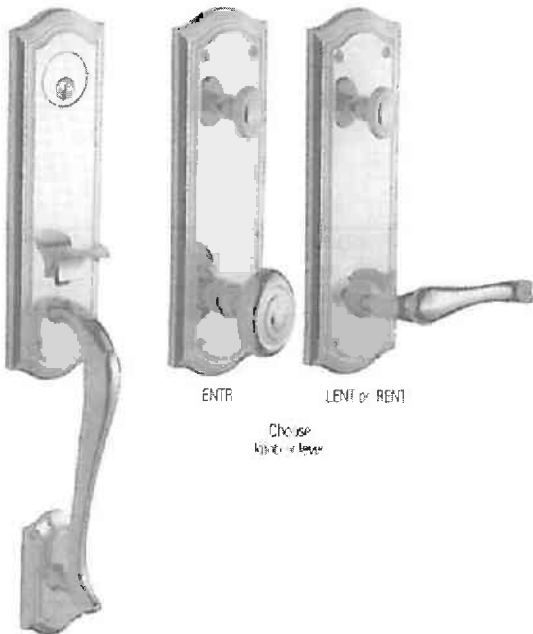
**Bethpage™
 Sectional Trim**



LHRH & LRFD COME WITH INTERIOR LEVER

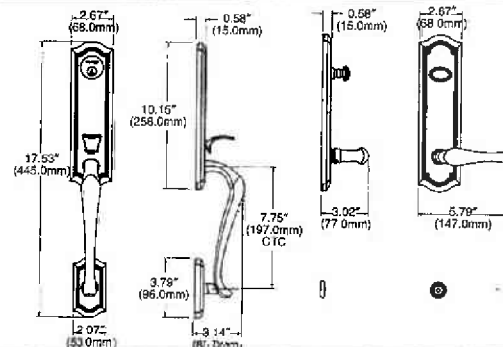
Part No.	Lockset Description	Finish.	Retail
BA5327-003-ENTR	Entrance, Single Cyl.	Lifetime Brass	430.00
BA5327-003-LHRH	Entrance, LH & RH	Lifetime Brass	430.00
BA5327-050-ENTR	Entrance, Single Cyl.	Satin Brass & Black	417.00
BA5327-050-FD	Full Dummy	Satin Brass & Black	360.00
BA5327-102-ENTR	Entrance, Single Cyl.	Oil Rubbed Bronze	417.00
BA5327-102-FD	Full Dummy	Oil Rubbed Bronze	360.00
BA5327-112-ENTR	Entrance, Single Cyl.	Venetian Bronze	417.00
BA5327-112-FD	Full Dummy	Venetian Bronze	360.00
BA5327-150-ENTR	Entrance, Single Cyl.	Satin Nickel	417.00
BA5327-150-FD	Full Dummy	Satin Nickel	360.00
BA5327-151-ENTR	Entrance, Single Cyl.	Antique Nickel	417.00
BA5327-151-FD	Full Dummy	Antique Nickel	360.00
BA5327-190-ENTR	Entrance, Single Cyl.	Satin Black	417.00
BA5327-190-FD	Full Dummy	Satin Black	360.00
BA5327-402-ENTR	Entrance, Single Cyl.	Dist. Oil Rubbed Brnz	430.00
BA5327-402-FD	Full Dummy	Dist. Oil Rubbed Brnz	370.00
BA5327-452-ENTR	Entrance, Single Cyl.	Dist. Antique Nickel	430.00
BA5327-452-FD	Full Dummy	Dist. Antique Nickel	370.00

Bethpage Emergency Egress



LHRH & LRFD COME WITH INTERIOR LEVER

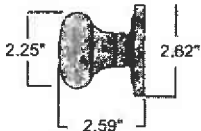
Part No.	Lockset Description	Finish.	Retail
BA5327-003-ENTR	Entrance, Single Cyl.	Lifetime Brass	587.00
BA5327-003-LHRH	Entrance, LH & RH	Lifetime Brass	587.00
BA5327-102-ENTR	Entrance, Single Cyl.	Oil Rubbed Bronze	570.00
BA5327-102-FD	Full Dummy	Oil Rubbed Bronze	445.00
BA5327-112-ENTR	Entrance, Single Cyl.	Venetian Bronze	570.00
BA5327-112-FD	Full Dummy	Venetian Bronze	445.00
BA5327-150-ENTR	Entrance, Single Cyl.	Satin Nickel	570.00
BA5327-150-FD	Full Dummy	Satin Nickel	445.00
BA5327-151-ENTR	Entrance, Single Cyl.	Antique Nickel	570.00
BA5327-151-FD	Full Dummy	Antique Nickel	445.00
BA5327-260-ENTR	Entrance, Single Cyl.	Satin Black	570.00
BA5327-260-FD	Full Dummy	Satin Black	445.00



• Knobsets

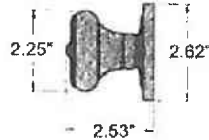
- **SOLID FORGED BRASS:** Images knobs, levers, and roses are manufactured of solid forged brass for maximum strength and durability.
- **LATCHES:** Images latches are constructed for exceptional durability and smooth operation. The heavy latch bolt springs are performance tested to eliminate lever sag. All latches are reversible to accommodate all door conditions.
- **FACEPLATE:** Latches are supplied with a 1" (25mm) faceplate. 1.125" (29mm) faceplate is NOT available.
- **FUNCTIONS:** Four (4) functions are available: passage, privacy, full dummy and half dummy.
 - Passage and privacy functions are supplied standard with a 2.375" (60mm) backset latch. A 2.75" (70mm) backset latch is available. Please consult the price list for details.
 - Privacy function has a locking push button feature with automatic release on the interior door trim and an emergency release feature on the exterior door trim.
- **ROSES:** Images roses are designed to conceal a 2.125" (54mm) pre-drilled door condition. The rose snaps onto the adaptor housing.
- **DOOR CUTOUT:** The adaptor easily installs into a 2.125" (54mm) cutout and aligns the latch with the trim.
- **DOOR THICKNESS:** Images locksets fit 1.375" (35mm) and 1.75" (49mm) doors.

5405 Series



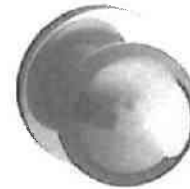
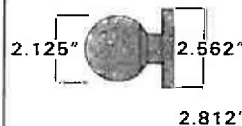
Part No.	Description	Backset	Retail
BA5405-003-FD	Full Dummy Knob Set		95.00
BA5405-003-IDM	Half Dummy Knob Set		47.00
BA5405-003-PASS	Passage Knob Latch Set	2 3/8"	121.00
BA5405-003-PRIV	Privacy Knob Latch Set	2 3/8"	121.00
BA5405-260-FD	Full Dummy Knob Set		79.00
BA5405-260-IDM	Half Dummy Knob Set		40.00
BA5405-260-PASS	Passage Knob Latch Set	2 3/8"	100.00
BA5405-260-PRIV	Privacy Knob Latch Set	2 3/8"	100.00
BA5405-326-PRIV	Privacy Knob Latch Set	2 3/8"	100.00
BA5406-003-PASS	Passage Knob Latch Set	2 3/4"	121.00
BA5406-003-PRIV	Privacy Knob Latch Set	2 3/4"	121.00
BA5406-260-PASS	Passage Knob Latch Set	2 3/4"	100.00
BA5406-260-PRIV	Privacy Knob Latch Set	2 3/4"	100.00

5410 Series



Part No.	Description	Backset	Retail
BA5410-003-FD	Full Dummy Knob Set		95.00
BA5410-003-IDM	Half Dummy Knob Set		47.00
BA5410-003-PASS	Passage Knob Latch Set	2 3/8"	121.00
BA5410-003-PRIV	Privacy Knob Latch Set	2 3/8"	121.00
BA5410-260-FD	Full Dummy Knob Set		79.00
BA5410-260-IDM	Half Dummy Knob Set		40.00
BA5410-260-PASS	Passage Knob Latch Set	2 3/8"	100.00
BA5410-260-PRIV	Privacy Knob Latch Set	2 3/8"	100.00
BA5410-326-PRIV	Privacy Knob Latch Set	2 3/8"	100.00
BA5411-003-PASS	Passage Knob Latch Set	2 3/4"	121.00
BA5411-003-PRIV	Privacy Knob Latch Set	2 3/4"	121.00
BA5411-260-PASS	Passage Knob Latch Set	2 3/4"	100.00
BA5411-260-PRIV	Privacy Knob Latch Set	2 3/4"	100.00

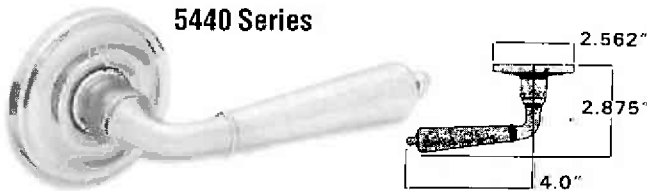
5415 Series



Part No.	Description	Backset	Retail
BA5415-003-FD	Full Dummy Knob Set		95.00
BA5415-003-IDM	Half Dummy Knob Set		47.00
BA5415-003-PASS	Passage Knob Latch Set	2 3/8"	121.00
BA5415-003-PRIV	Privacy Knob Latch Set	2 3/8"	121.00
BA5415-260-FD	Full Dummy Knob Set		79.00
BA5415-260-IDM	Half Dummy Knob Set		40.00
BA5415-260-PASS	Passage Knob Latch Set	2 3/8"	100.00
BA5415-260-PRIV	Privacy Knob Latch Set	2 3/8"	100.00
BA5415-326-PRIV	Privacy Knob Latch Set	2 3/8"	100.00
BA5416-003-PASS	Passage Knob Latch Set	2 3/4"	121.00
BA5416-003-PRIV	Privacy Knob Latch Set	2 3/4"	121.00
BA5416-260-PASS	Passage Knob Latch Set	2 3/4"	100.00
BA5416-260-PRIV	Privacy Knob Latch Set	2 3/4"	100.00

Also Available in: 150 (Satin Nickel Plated)
 151 (Antique Nicel Dull)

Also Available in: 150 (Satin Nickel Plated)
 151 (Antique Nicel Dull)



Part No.	Description	Backset	Retail
BA5440-003-FD	Full Dummy Lever Set		95.00
BA5440-003-LDM	Half Dummy Lever Set		47.00
BA5440-003-PASS	Passage Lever Latch Set	2 3/8"	121.00
BA5440-003-PRIV	Privacy Lever Latch Set	2 3/8"	121.00
BA5440-003-RDM	Half Dummy Lever Set		47.00
BA5440-260-FD	Full Dummy Lever Set		79.00
BA5440-260-LDM	Half Dummy Lever Set		40.00
BA5440-260-PASS	Passage Lever Latch Set	2 3/8"	100.00
BA5440-260-PRIV	Privacy Lever Latch Set	2 3/8"	100.00
BA5440-260-RDM	Half Dummy Lever Set		40.00
BA5441-003-PASS	Passage Lever Latch Set	2 3/4"	121.00
BA5441-003-PRIV	Privacy Lever Latch Set	2 3/4"	121.00
BA5441-260-PASS	Passage Lever Latch Set	2 3/4"	100.00
BA5441-260-PRIV	Privacy Lever Latch Set	2 3/4"	100.00



Part No.	Description	Backset	Retail
BA5460-003-FD	Full Dummy Lever Set		95.00
BA5460-003-LDM	Half Dummy Lever Set		47.00
BA5460-003-PASS	Passage Lever Latch Set	2 3/8"	121.00
BA5460-003-PRIV	Privacy Lever Latch Set	2 3/8"	121.00
BA5460-003-RDM	Half Dummy Lever Set		47.00
BA5460-260-FD	Full Dummy Lever Set		79.00
BA5460-260-LDM	Half Dummy Lever Set		40.00
BA5460-260-PASS	Passage Lever Latch Set	2 3/8"	100.00
BA5460-260-PRIV	Privacy Lever Latch Set	2 3/8"	100.00
BA5460-260-RDM	Half Dummy Lever Set		40.00
BA5460-326-PRIV	Privacy Lever Latch Set	2 3/8"	100.00
BA5461-003-PASS	Passage Lever Latch Set	2 3/4"	121.00
BA5461-003-PRIV	Privacy Lever Latch Set	2 3/4"	121.00
BA5461-260-PASS	Passage Lever Latch Set	2 3/4"	100.00
BA5461-260-PRIV	Privacy Lever Latch Set	2 3/4"	100.00



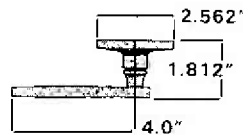
Part No.	Description	Backset	Retail
BA5445-003-FD	Full Dummy Lever Set		95.00
BA5445-003-LDM	Half Dummy Lever Set		47.00
BA5445-003-PASS	Passage Lever Latch Set	2 3/8"	121.00
BA5445-003-PRIV	Privacy Lever Latch Set	2 3/8"	121.00
BA5445-003-RDM	Half Dummy Lever Set		47.00
BA5445-260-FD	Full Dummy Lever Set		79.00
BA5445-260-LDM	Half Dummy Lever Set		40.00
BA5445-260-PASS	Passage Lever Latch Set	2 3/8"	100.00
BA5445-260-PRIV	Privacy Lever Latch Set	2 3/8"	100.00
BA5445-260-RDM	Half Dummy Lever Set		40.00
BA5446-003-PASS	Passage Lever Latch Set	2 3/4"	121.00
BA5446-003-PRIV	Privacy Lever Latch Set	2 3/4"	121.00
BA5446-260-PASS	Passage Lever Latch Set	2 3/4"	100.00
BA5446-260-PRIV	Privacy Lever Latch Set	2 3/4"	100.00



Part No.	Description	Backset	Retail
BA5455-003-FD	Full Dummy Lever Set		95.00
BA5455-003-LDM	Half Dummy Lever Set		47.00
BA5455-003-PASS	Passage Lever Latch Set	2 3/8"	121.00
BA5455-003-PRIV	Privacy Lever Latch Set	2 3/8"	121.00
BA5455-003-RDM	Half Dummy Lever Set		47.00
BA5455-260-FD	Full Dummy Lever Set		79.00
BA5455-260-LDM	Half Dummy Lever Set		40.00
BA5455-260-PAS	Passage Lever Latch Set	2 3/8"	100.00
BA5455-260-PRIV	Privacy Lever Latch Set	2 3/8"	100.00
BA5455-260-RDM	Half Dummy Lever Set		40.00
BA5456-003-PASS	Passage Lever Latch Set	2 3/4"	121.00
BA5456-003-PRIV	Privacy Lever Latch Set	2 3/4"	121.00
BA5456-260-PASS	Passage Lever Latch Set	2 3/4"	100.00
BA5456-260-PRIV	Privacy Lever Set	2 3/4"	100.00

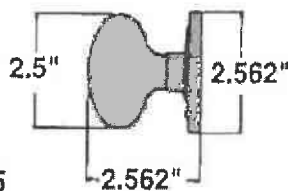
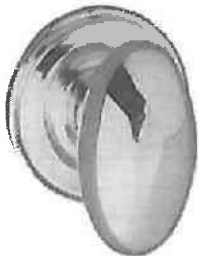
• Lever Locksets

5450 Series



Part No.	Description	Backset	Retail
BA5450-003-FD	Full Dummy Lever Set		97.00
BA5450-003-LDM	Half Dummy Lever Set		49.00
BA5450-003-PASS	Passage Lever Latch Set	2 3/8"	111.00
BA5450-003-PRIV	Privacy Lever Latch Set	2 3/8"	121.00
BA5450-003-RDM	Half Dummy Lever Set		49.00
BA5450-260-FD	Full Dummy Lever Set		80.00
BA5450-260-LDM	Half Dummy Lever Set		40.00
BA5450-260-PASS	Passage Lever Latch Set	2 3/8"	92.00
BA5450-260-PRIV	Privacy Lever Latch Set	2 3/8"	100.00
BA5450-260-RDM	Half Dummy Lever Set		40.00
BA5451-003-PASS	Passage Lever Latch Set	2 3/4"	111.00
BA5451-003-PRIV	Privacy Lever Latch Set	2 3/4"	121.00
BA5451-260-PASS	Passage Lever Latch Set	2 3/4"	92.00
BA5451-260-PRIV	Privacy Lever Latch Set	2 3/4"	100.00

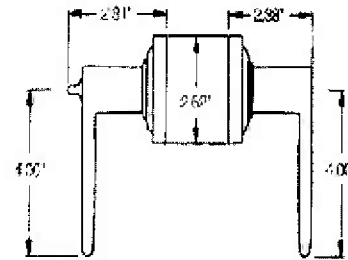
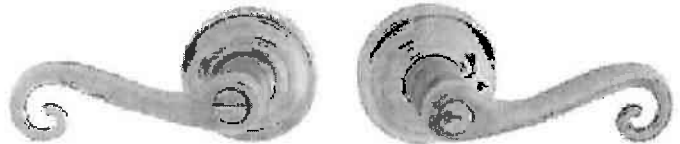
5425 Series



No. 5425

Part No.	Description	Backset	Retail
BA5425-003-FD	Full Dummy Knob Set		95.00
BA5425-003-IDM	Half Dummy Knob Set		47.00
BA5425-003-PASS	Passage Knob Latch Set	2 3/8"	121.00
BA5425-003-PRIV	Privacy Knob Latch Set	2 3/8"	121.00
BA5425-260-FD	Full Dummy Knob Set		79.00
BA5425-260-IDM	Half Dummy Knob Set		40.00
BA5425-260-PASS	Passage Knob Latch Set	2 3/8"	100.00
BA5425-260-PRIV	Privacy Knob Latch Set	2 3/8"	100.00
BA5425-326-PRIV	Privacy Knob Latch Set	2 3/8"	100.00
BA5426-003-PASS	Passage Knob Latch Set	2 3/4"	121.00
BA5426-003-PRIV	Privacy Knob Latch Set	2 3/4"	121.00
BA5426-260-PASS	Passage Knob Latch Set	2 3/4"	100.00
BA5426-260-PRIV	Privacy Knob Latch Set	2 3/4"	100.00

5250 Series Keyed Locksets



New Adjustable Backset

Keying: Solid brass 6 pin cylinder, keyed 5 pin

- 5250.XXX.LENT Entrance Set-Adjustable Backset
- 5250.XXX.RENT Entrance Set-Adjustable Backset
- 5250.XXX.FD Full Dummy Set

Part No.	Finish	Price
BA5250-003-LENT	Lifetime Brass	145.00
BA5250-003-RENT	Lifetime Brass	145.00
BA5250-003-FD	Lifetime Brass	131.00
BA5250-050-LENT	Satin Brass & Black	152.00
BA5250-050-RENT	Satin Brass & Black	152.00
BA5250-050-FD	Satin Brass & Black	138.00
BA5250-150-LENT	Satin Nickel	152.00
BA5250-150-RENT	Satin Nickel	152.00
BA5250-150-FD	Satin Nickel	138.00
BA5250-151-LENT	Antique Nickel	152.00
BA5250-151-RENT	Antique Nickel	152.00
BA5250-151-FD	Antique Nickel	138.00
BA5250-260-LENT	Polished Chrome	152.00
BA5250-260-RENT	Polished Chrome	152.00
BA5250-260-FD	Polished Chrome	138.00

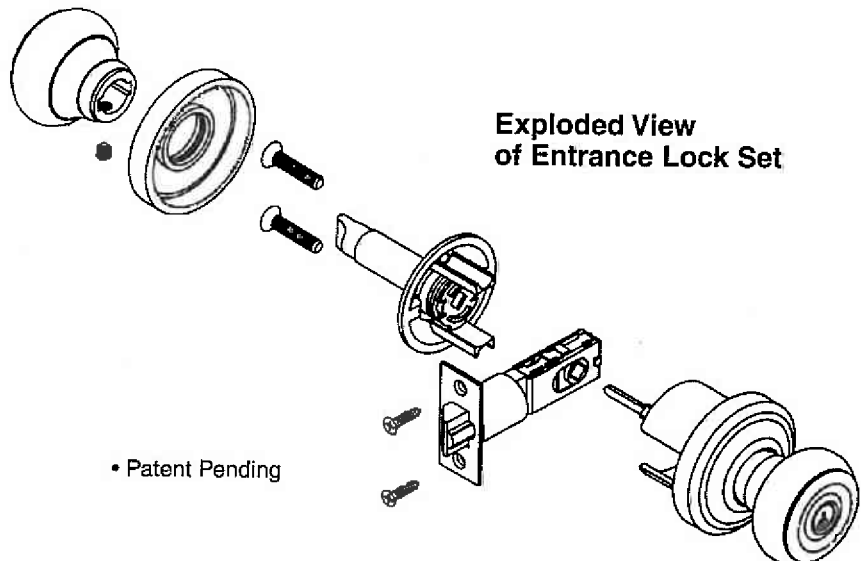
IMAGES KEYED ENTRY LOCKSETS

Images Keyed Entry Locksets are featured in our most popular styles, and are available in The Lifetime Finish _ from Baldwin or oil rubbed bronze (please consult price list for details.) Images interior latchset designs coordinate beautifully with the Keyed Entry Lockset styles to enable consumers to carry a specific design theme throughout the home. Each Images Keyed Entry Lockset is packed in a complete set and includes graphic installation instructions. Meets Grade 2 requirements.

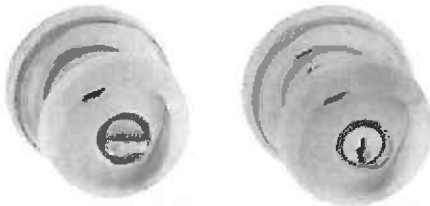
THE IMAGES COLLECTION KEYED ENTRY LOCKSETS - MECHANICAL FEATURES

- **SOLID BRASS:** Knobs, levers, and roses are manufactured of solid brass for maximum strength and durability.
- **EASE OF INSTALLATION:** Images Keyed Entry Locksets are designed for easy installation in standard pre-bored wood or metal doors. The adapter aligns the unit for a perfect fit each time. Graphic instructions make installation FAST!
- **CONCEALED FASTENERS:** All Images Keyed Entry Locksets are designed with screw-on solid brass roses, which conceal the mounting hardware for a high quality appearance.
- **EMERGENCY EXIT FUNCTION:** Interior knob always retracts latch to allow immediate exit.
- **FULLY REVERSIBLE:** Accommodates all door conditions and facilitates installation.
- **DOOR THICKNESS:** Locksets accommodate 1-3/8" (35mm) or 1-3/4" (44mm) thick doors.
- **CASE:** Latch case is formed of steel for strength. Interior working parts are made of brass or steel for maximum strength and smooth operation.
- **BACKSET:** Entry function supplied with an adjustable backset latch which will accommodate 2-3/8" (60mm) and 2-3/4" (70mm) backsets.
- **FACEPLATE:** Latch faceplate supplied is 1" (25mm) wide x 2-1/4" (57mm).
- **STRIKE:** All entry locksets are supplied with a full lip strike.
- **PACKAGING:** Each Images Keyed Entry Lockset is offered in a Contractor Package or Visual Package. Contractor Packaged cases are available in quantities of twelve (12) each all Keyed Differently (KD) or Keyed Alike in groups of four (KA4). Visual Packaged product is available packed six (6) Keyed Alike in groups of three (KA3) only.
- **CYLINDER:** Solid brass rekeyable cylinder supplied standard with 03 keyway and two nickel silver keys. See catalog pages for 5 pin or 6 pin capability.
- **KEYS:** Designed with 1-1/4" (32mm) wide bow surface to facilitate use by physically challenged people. (2 keys supplied per lock).

GRADE 2: Meets Grade 2 requirements for security and endurance.



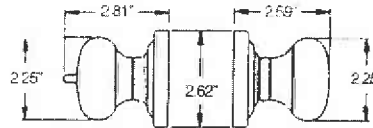
Replacement cylinders in stock.



5205 Inside Outside

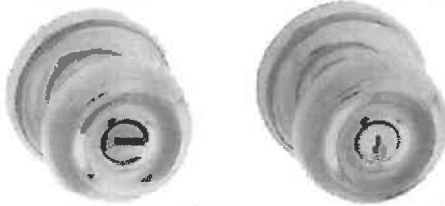
5205 XXX ENTR Entrance Set-Adjustable Backset 3.10 lbs (1.41kg)
 5205 XXX FD Full Dummy Set 1.90 lbs (.86kg)

Keying: Solid brass 5 pin cylinder



New Adjustable Backset

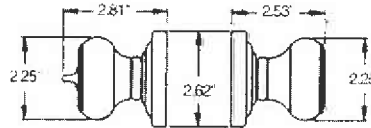
Part No.	Finish	Price
BA5205-003-ENTR	Lifetime Brass	165.00
BA5205-003-FD	Lifetime Brass	149.00
BA5205-150-ENTR	Satin Nickel	165.00
BA5205-151-ENTR	Antique Nickel	165.00



5210 Inside Outside

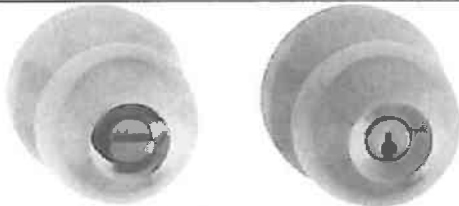
5210 XXX ENTR Entrance Set-Adjustable Backset 3.05 lbs (1.39kg)
 5210 XXX FD Full Dummy Set 2.05 lbs (.93kg)

Keying: Solid brass 5 pin cylinder



New Adjustable Backset

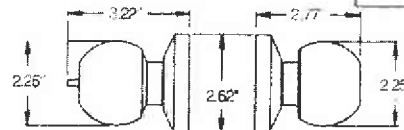
Part No.	Finish	Price
BA5210-003-ENTR	Lifetime Brass	165.00
BA5210-003-FD	Lifetime Brass	149.00
BA5210-150-ENTR	Satin Nickel	160.00
BA5210-151-ENTR	Antique Nickel	160.00



5215 Inside Outside

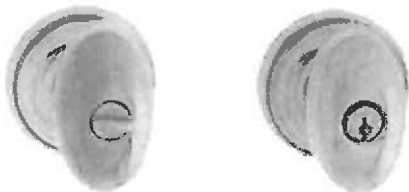
5215 XXX ENTR Entrance Set-Adjustable Backset 3.35 lbs (1.52kg)
 5215 XXX FD Full Dummy Set 2.50 lbs (1.14kg)

Keying: Solid brass 6 pin cylinder, keyed 5 pin



New Adjustable Backset

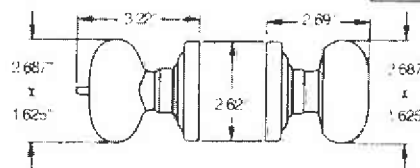
Part No.	Finish	Price
BA5215-003-ENTR	Lifetime Brass	165.00
BA5215-003-FD	Lifetime Brass	149.00



5225 Inside Outside

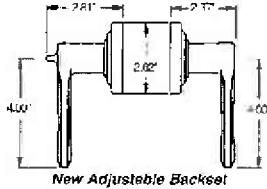
5225 XXX ENTR Entrance Set-Adjustable Backset 3.60 lbs (1.64kg)
 5225 XXX FD Full Dummy Set 3.00 lbs (1.36kg)

Keying: Solid brass 6 pin cylinder, keyed 5 pin



New Adjustable Backset

Part No.	Finish	Price
BA5225-003-ENTR	Lifetime Brass	165.00
BA5225-003-FD	Lifetime Brass	149.00
BA5225-150-ENTR	Satin Nickel	165.00
BA5225-151-ENTR	Antique Nickel	165.00

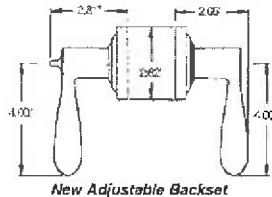


Keying: Solid brass 6 pin cylinder, keyed 5 pin

Part No.	Finish	Price
BA5245-003-ENTR	Lifetime Brass	165.00
BA5245-003-FD	Lifetime Brass	149.00
BA5245-150-ENTR	Satin Nickel	165.00

- 5345.XXX.LENT Entrance Set-Adjustable Backset 2.15lbs (.98kg)
- 5245.XXX.RENT Entrance Set-Adjustable Backset 2.15lbs (.98kg)
- 5245.XXX.FD Full Dummy Set 1.95lbs (.89kg)

New Adjustable Backset

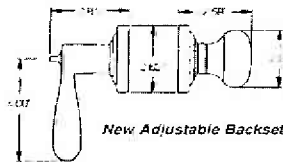


Keying: Solid brass 6 pin cylinder, keyed 5 pin

Part No.	Finish	Price
BA5255-003-ENTR	Lifetime Brass	165.00
BA5255-003-FD	Lifetime Brass	149.00
BA5255-150-ENTR	Satin Nickel	165.00
BA5255-151-ENTR	Antique Nickel	165.00

- 5255.XXX.LENT Entrance Set-Adjustable Backset 2.80lbs (1.27kg)
- 5255.XXX.RENT Entrance Set-Adjustable Backset 2.80lbs (1.27kg)
- 5255.XXX.FD Full Dummy Set 2.00lbs (.91kg)

New Adjustable Backset

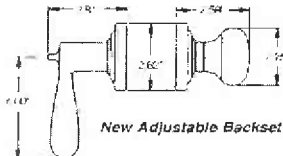


Keying: Solid brass 5 pin cylinder

Part No.	Finish	Price
BA5270-003-ENTR	Lifetime Brass	158.00
BA5270-003-FD	Lifetime Brass	143.00

- 5270.XXX.LENT Entrance Set-Adjustable Backset 2.95lbs (1.34kg)
- 5270.XXX.RENT Entrance Set-Adjustable Backset 2.95lbs (1.34kg)
- 5270.XXX.LFD Entrance Set-Adjustable Backset 2.05lbs (.93kg)
- 5270.XXX.RFD Entrance Set-Adjustable Backset 2.05lbs (.93kg)

New Adjustable Backset



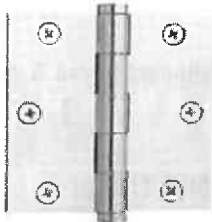
Keying: Solid brass 5 pin cylinder

Part No.	Finish	Price
BA5280-003-ENTR	Lifetime Brass	158.00
BA5280-003-FD	Lifetime Brass	143.00

- 5280.XXX.LENT Entrance Set-Adjustable Backset 2.95lbs (1.34kg)
- 5280.XXX.RENT Entrance Set-Adjustable Backset 2.95lbs (1.34kg)
- 5280.XXX.LFD Entrance Set-Adjustable Backset 2.05lbs (.93kg)
- 5280.XXX.RFD Entrance Set-Adjustable Backset 2.05lbs (.93kg)

New Adjustable Backset

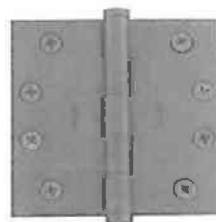
Hinges



BA1035-Square-3.5"x3.5"



BA1040-Square-4"x4"



BA1045-Square-4.5"x4.5"

Part No.	Finish	Price
BA1035-003	Lifetime Brass	83.00
BA1035-030	Polished Brass	73.00
BA1040-003	Lifetime Brass	85.00
BA1040-030	Polished Brass	75.00
BA1045-003	Lifetime Brass	87.00
BA1045-030	Polished Brass	77.00

Hinges - Ball Bearing



BA1041-Square-4"x4"



BA1046-Square-4.5"x4.5"



BA1051-Square-5"x5"

Part No.	Finish	Price
BA1041-003	Lifetime Brass	109.00
BA1041-030	Polished Brass	91.00
BA1046-003	Lifetime Brass	112.00
BA1046-030	Polished Brass	95.00
BA1051-003	Lifetime Brass	181.00
BA1051-030	Polished Brass	149.00

Hinge Finials - are specially designed to thread into the top & bottom of the hinge barrel.



BA1035-xxx-TIP



BA1090



BA1092



BA1093



BA1091

Part No.	Finish	Price
BA1035-003-TIP	Lifetime Brass	29.00
BA1035-264-TIP	Satin Chrome	28.00
BA1090-003	Lifetime Brass	29.00
BA1090-038	Aged Brass	28.00
BA1091-003	Lifetime Brass	29.00
BA1091-151	Antique Nickel	28.00
BA1092-003	Lifetime Brass	29.00
BA1092-190	Satin Black	28.00

Available Finial & Hinge Finishes: 003, 030, 031, 038, 050, 055, 056, 102, 112, 140, 150, 151, 190, 260, 264, 402, 452

DEADLOCKING LATCHBOLT

For Keyed Entry Locksets & Two Point Handlesets

FEATURES: Latchbolts have a 1/2" throw, are reversible and can be used on beveled doors. Latches are supplied with 1" face plates.

PACKED: One per box.

BA5200-003, 055, 056 - 44⁰⁰

Other finishes in stock - 40⁰⁰



DEADBOLT

FEATURES: All Deadbolts are furnished with a 1" (25mm) throw. Each contains a saw-proof, hardened steel insert to prevent tampering. Fronts are adjustable for beveled door conditions. All deadbolts have an adjustable backset feature to accommodate 2 3/8" or 2 3/4" backsets.

PACKED: Without fasteners. Case quantity is twelve (12).



BA8201-003-DB	Double Cyl	Lifetime Bright Brass	30.00
BA8208-003-DB	Single Cyl	Lifetime Bright Brass	30.00

DEADBOLTS - 2 1/8" PREP

Traditional Design

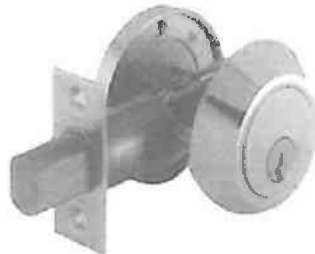
Steel Case: .960" diameter x 3.312" or 3.750" extended
Front: .156" x 1" x 2.25"
Backset: Adjustable backset deadbolt, 2 3/8" or 2 3/4"



BA8231-003	Lifetime Brass Finish	Single Cyl.	114.00
BA8231-260	Polished Chromium	Single Cyl	103.00
BA8231-102	Oil Rubbed Bronze	Single Cyl	103.00
BA8231-150	Satin Nickel Plated	Single Cyl	103.00
BA8231-151	Antique Nickel, Dull	Single Cyl	103.00
BA8232-003	Lifetime Brass Finish	Double Cyl.	114.00
BA8232-260	Polished Chromium	Double Cyl	103.00

Contemporary Design

Steel Case: .960" diameter x 3.312" or 3.750" extended
Front: .156" x 1" x 2.25"
Backset: Adjustable backset deadbolt, 2 3/8" or 2 3/4"



BA8241-003	Lifetime Brass Finish	Single Cyl	95.00
BA8241-260	Polished Chromium	Single Cyl	86.00
BA8241-102	Oil Rubbed Bronze	Single Cyl	86.00
BA8241-150	Satin Nickel Plated	Single Cyl	86.00
BA8241-151	Antique Nickel, Dull	Single Cyl	86.00
BA8242-003	Lifetime Brass Finish	Double Cyl	114.00
BA8242-260	Polished Chromium	Double Cyl	103.00

CYLINDER COLLAR SPACER FOR 8200 SERIES FOR 1 3/8" DOOR

DIMENSIONS: 2.5" Dia. (64mm)
FEATURES: For installation on 1 3/8" (35mm) doors. Always used under cylinder collar. Two rings are required for double cylinder functions. One ring is required for cylinder/turnpiece functions. Finished to match deadbolt cylinder collar. 1 per box.



No. 8297

BA8297-003 Lifetime Brass 17.00

BA8097-003 Lifetime Brass 11.00 (For 8000 series)

DEADBOLTS

- **CASE:** Deadbolt case is formed of heavy gauge steel for strength and assures solid fit in door preparations. Most interior working parts are made of solid brass for maximum strength and smooth operation.
- **DEADBOLT:** All deadbolts are of solid brass construction. Deadbolt has .625" x .875" x 1" (16x22x25mm) throw when extended and a hardened steel insert for maximum protection and security. Deadbolt is furnished in US4 and 26D finishes to match trim.
- **BACKSET:** Deadbolts available in 2.375" (60mm) and 2.75" (70mm) backset.
- **NON-HANDED** design facilitates specification and installation.
- **STRIKE:** Every deadbolt illustrated in this section is furnished with a specially designed reinforcing strike constructed of high grade steel for ultimate strength and durability.
- **DOOR CONDITIONS:** Deadbolts fit 1.625" (41mm) diameter cutouts. Trim rings No. 8090 available for doors drilled with 2.125" (54mm) diameter holes.
- **DOOR THICKNESS:** Deadbolts fit 1.75" (44mm) thick doors. Deadbolts are available for 2" (51mm) and 2.25" (57mm) thick doors at an additional charge. Door spacers No. 8097 are available for 1.375" (35mm) thick doors.

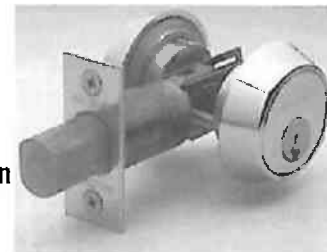
Steel Case: 8011 and 8013 - .960" Diameter x 3.125" (24x79mm)

8015 and 8017 - .960" Diameter x 3.5" (24x89mm)

Front: 8011 and 8015 - .156" x 1" x 2.25" (4x25x57mm)

8013 and 8017 - .156" x 1.125" x 2.25" (4x29x57mm)

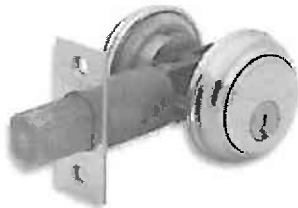
Double Cylinder Contemporary Design 8011 Series 1 5/8" Prep



Inside Cylinder

Part No.	Description	Backset	Retail
BA8011-003	Deadbolt, Double Cylinder	2 3/8"	108.00
BA8011-102	Deadbolt, Double Cylinder	2 3/8"	101.00
BA8011-260	Deadbolt, Double Cylinder	2 3/8"	101.00
BA8011-264	Deadbolt, Double Cylinder	2 3/8"	101.00
BA8013-060	Deadbolt, Double Cylinder	2 3/8"	83.10
BA8013-102	Deadbolt, Double Cylinder	2 3/8"	83.10
BA8013-260	Deadbolt, Double Cylinder	2 3/8"	83.10
BA8013-264	Deadbolt, Double Cylinder	2 3/8"	83.10
BA8015-060	Deadbolt, Double Cylinder	2 3/4"	83.10
BA8015-102	Deadbolt, Double Cylinder	2 3/4"	83.10
BA8015-260	Deadbolt, Double Cylinder	2 3/4"	83.10
BA8015-264	Deadbolt, Double Cylinder	2 3/4"	83.10
BA8017-060	Deadbolt, Double Cylinder	2 3/4"	83.10
BA8017-102	Deadbolt, Double Cylinder	2 3/4"	83.10
BA8017-260	Deadbolt, Double Cylinder	2 3/4"	83.10
BA8017-264	Deadbolt, Double Cylinder	2 3/4"	83.10

**Double Cylinder
Traditional Design
8021 Series
1 5/8" Prep**



**Inside
Cylinder**

Part No.	Description	Backset	Retail
BA8021-003	Deadbolt, Double Cylinder	2 3/8"	108.00
BA8021-102	Deadbolt, Double Cylinder	2 3/8"	101.00
BA8021-260	Deadbolt, Double Cylinder	2 3/8"	101.00
BA8023-060	Deadbolt, Double Cylinder	2 3/8"	88.60
BA8023-102	Deadbolt, Double Cylinder	2 3/8"	88.60
BA8023-260	Deadbolt, Double Cylinder	2 3/8"	88.60
BA8025-060	Deadbolt, Double Cylinder	2 3/4"	88.60
BA8025-102	Deadbolt, Double Cylinder	2 3/4"	88.60
BA8025-260	Deadbolt, Double Cylinder	2 3/4"	88.60
BA8027-060	Deadbolt, Double Cylinder	2 3/4"	88.60
BA8027-102	Deadbolt, Double Cylinder	2 3/4"	88.60
BA8027-260	Deadbolt, Double Cylinder	2 3/4"	88.60

Steel Case: 8021 and 8023 - .960" Diameter x 3.125" (24x79mm)
8025 and 8027 - .960" Diameter x 3.5" (24x89mm)
Front: 8021 and 8025 - .156" x 1" x 2.25" (4x25x57mm)
8023 and 8027 - .156" x 1.125" x 2.25" (4x29x57mm)

**Cylinder/Turnpiece
Contemporary Design
8041 Series
1 5/8" Prep**



Steel Case: 8041 - .960" Diameter x 3.312" or 3.75" (24x89 or 95mm)
Front: 8041 - .156" x 1" x 2.25" (4x25x57mm)

Part No.	Description	Backset	Retail
BA8041-003	Deadbolt, Single Cylinder	2 3/4"	92.00
BA8041-150	Deadbolt, Single Cylinder	2 3/4"	84.00
BA8041-151	Deadbolt, Single Cylinder	2 3/4"	84.00

**Cylinder/Turnpiece
Traditional Design
8031 Series
1 5/8" Prep**



**Inside
Turnpiece**

Steel Case: 8031 - .960" Diameter x 3.125" (24x79mm)
Front: 8031 - .156" x 1" x 2.25" (4x25x57mm)

Part No.	Description	Backset	Retail
BA8031-003	Deadbolt, Single Cylinder	2 3/8"	92.00
BA8031-050	Deadbolt, Single Cylinder	2 3/8"	84.00
BA8031-150	Deadbolt, Single Cylinder	2 3/4"	84.00
BA8031-151	Deadbolt, Single Cylinder	2 3/4"	84.00

TRIM RINGS

DIMENSIONS: 2.5" Dia. (64)mm
FEATURES: Trim rings are designed for use with installation of 8000 series (1 5/8" door prep) deadbolts in 2 1/8" diameter door preparation. One pair of rings is required for use in this application for either double cylinder or cylinder/turnpiece functions. Rings are finished match deadbolts. *Packed one pair per box.*



Part No.	Finish	Retail/pair
BA8090-003	Lifetime Brass	11.00
BA8090-030	Polished Brass	11.00
BA8090-060	Satin Brass/Brown	11.00
BA8090-102	Oil Rubbed Bronze	11.00
BA8090-260	Polished Chromium	11.00
BA8090-264	Satin Chromium	11.00

KEY BLANKS

1.25" width bow designed for the disabled and handicapped people.

'C' keyway
Nickel Silver 50/box

Part No.		Price/ea
BA8335-152	5 Pin	2.00
BA8336-152	6 Pin	2.00

